



ARIES  
IMEX  
TRADING  
INC.

Stretch Ceiling

# Stretch Ceiling Film



We supply finished /Welded pvc stretch ceiling film sheet pieces film according to your size. Sky,3D,Print,Painting,Glossy,Matte,Satin,Translucent Pvc Stretch ceiling fabric film )

# Stretch Ceiling Film Swatches





## Stretch Ceiling Film Application



Entertainment Place

Hospital

Office building

Shopping Center

Meeting Hall

Stadium

Hotel

Air Port

Exhibition Hall

Home Decoration

School





Customized Print UV  
Stretch Ceiling Film  
The Solar System





# PVC glossy Stretch Ceiling Film



# Luxury Pop PVC Stretch Ceiling Material Designs

Modern Drop  
Building Ceiling  
Accessories  
Baffle







3D UV printed beautiful pattern  
on translucent stretch ceiling

Removable good quality  
pop designs in hall





# Print PVC Pop Ceiling Design



Plastic PVC Garage Ceiling Panel Flowers

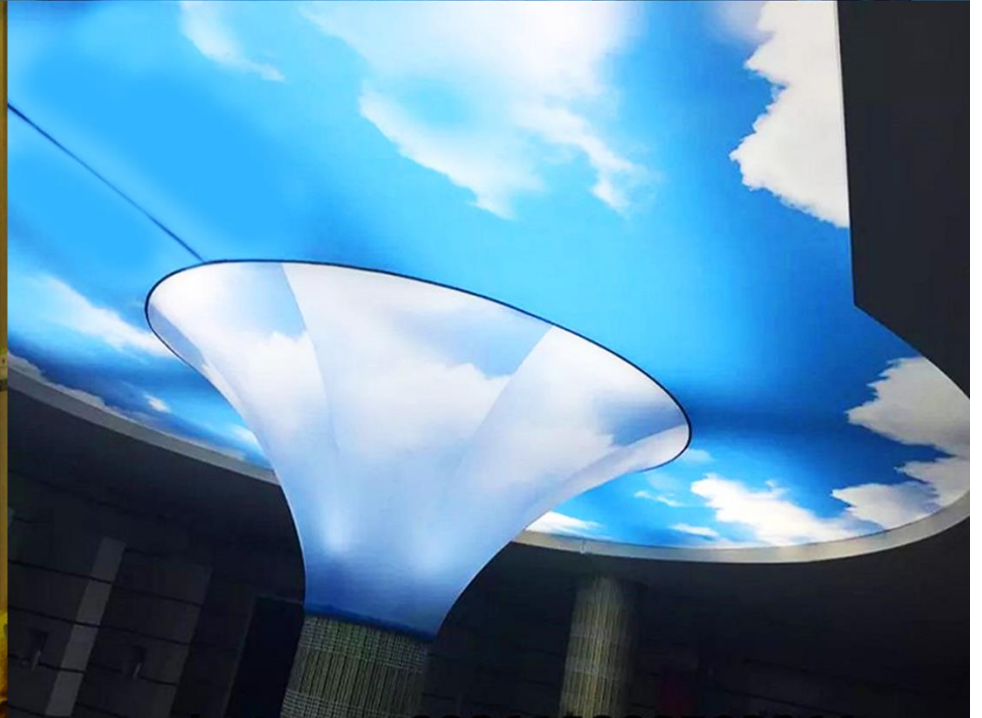


A photograph of a modern, elegant living room. The most striking feature is the stretch ceiling, which displays a vibrant blue sky with scattered white clouds and three white birds in flight. The room is furnished with a light-colored sofa, a dark wood coffee table, and a red armchair. Large windows in the background offer a view of greenery and a building with a striped awning. The overall atmosphere is bright and sophisticated.

Stretch ceiling for unique  
and elegant interior design



# Sky design





# Night sky design

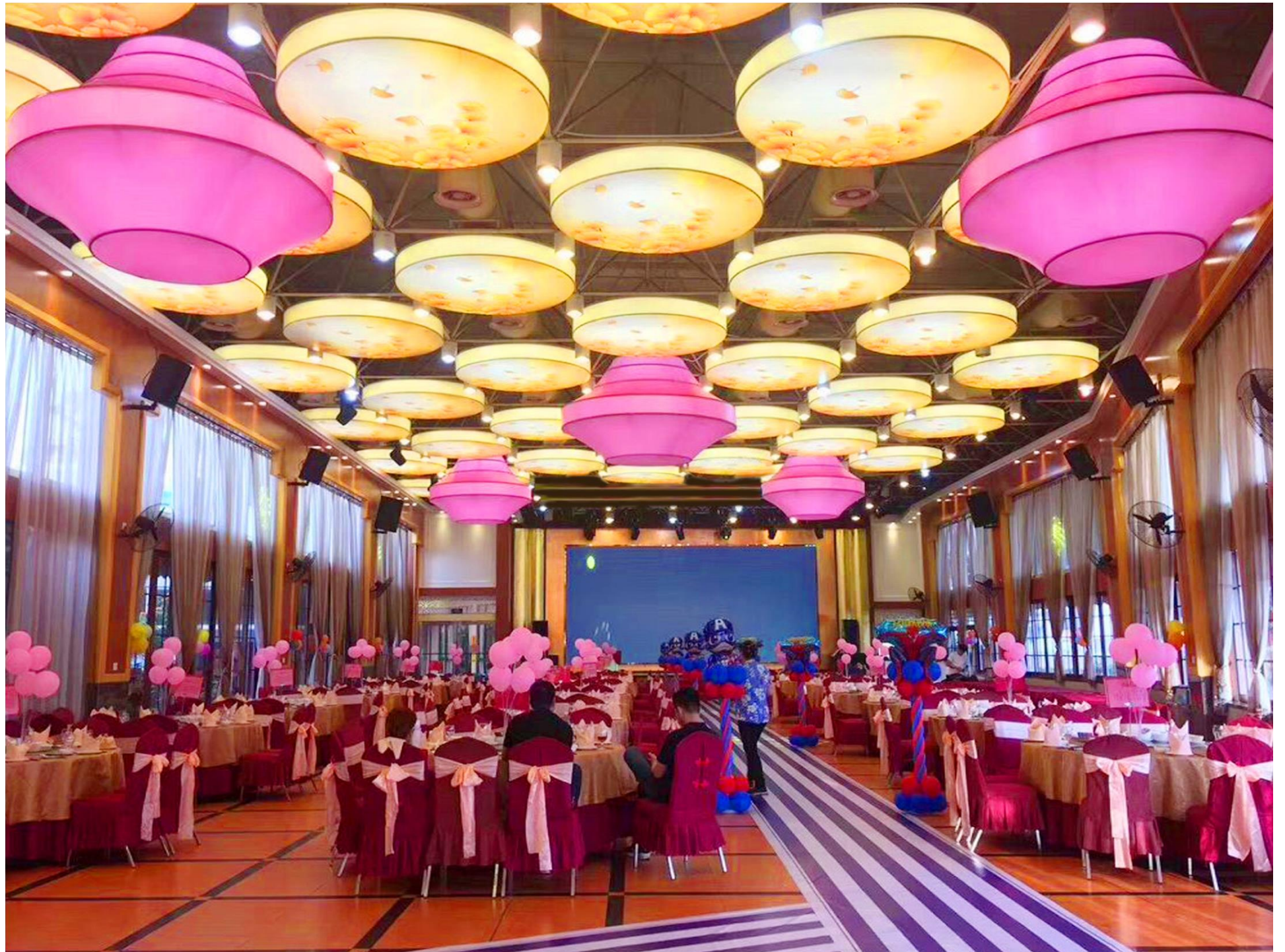




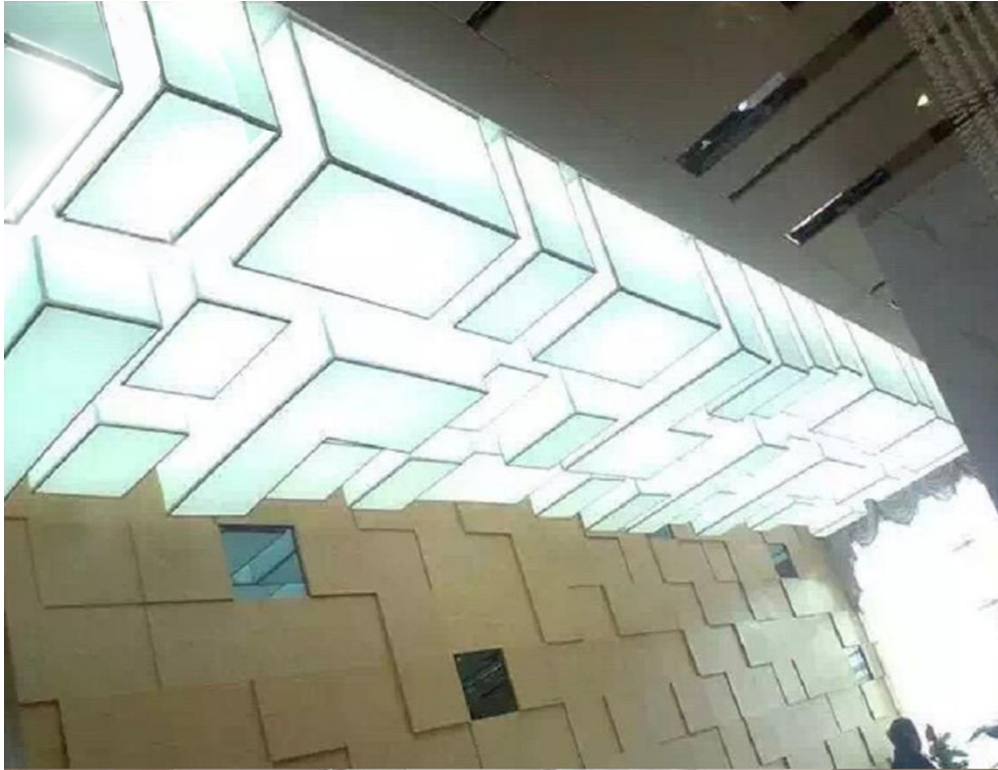
# Floral design





















# Stretch Ceiling Accessories

All stretch ceiling installation accessories, PVC profiles, F/H/W/V aluminum profile, pvc stretch ceiling harpoon, pvc stretch ceiling keel whatsapp:008618317033075



## pvc stretch ceiling film and pvc harpoon stretch ceiling welding machine

5KW two heads PVC Suspended Stretch Ceiling Film welding machine

[Read More >](#)



## Equipment and tools for stretch ceilings installation

Foxygen stretch ceiling installation equipment and tools for stretch ceilings installation

[Read More >](#)

## Spatulas



## Foxygen stretch ceiling installation tools pvc stretch ceiling film spatula

Foxygen stretch ceiling installation tools pvc stretch ceiling film spatula

[Read More >](#)



## All types of PVC Stretch ceiling film system aluminum profiles , false ceiling profiles , Suspend ceilings profile

All types of PVC Stretch ceiling film system aluminum profiles , false ceiling profiles , Suspend ceilings profile

[Read More >](#)



## pvc profile covers and Aluminum profile covers for stretch ceiling film profile

pvc profile covers and Aluminum profile covers for stretch ceiling film profile

[Read More >](#)



## 250M per roll plastic buckle strip for pvc stretch ceiling film pvc harpoon

250M per roll plastic buckle strip for pvc stretch ceiling film pvc harpoon China one stop stretch ceiling factory

[Read More >](#)



## ***Installation Accessories***



***Measuring Tape***



***Air heater***



***Angle Grinder***



***Hand Drill***



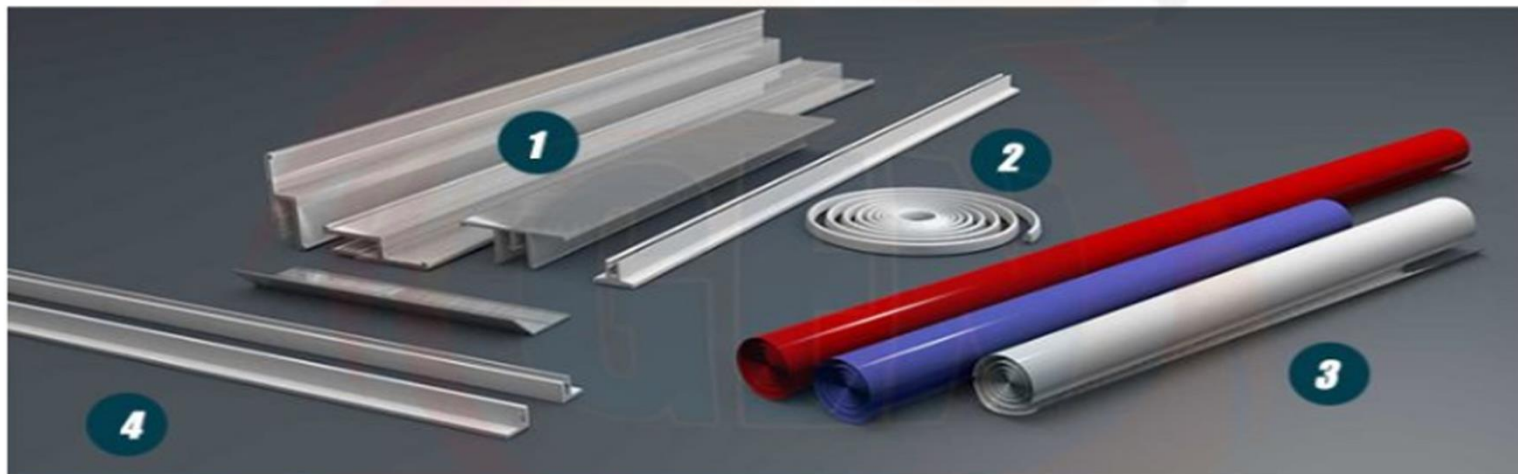
***Spatula***



***Screw-driver***



***Self-tapping screw***



**1**

***Aluminum Profile***

**2**

***PVC Harpoon***



# Available Stretch Ceiling Film Types

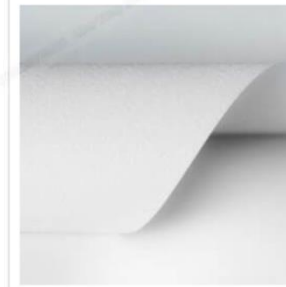
**Glossy Film, Matt  
Film, Satin Film,  
Translucent  
Film; Brushed  
Suede Film,  
Marble Film;  
Perforated Film,  
Metallic Film,  
Painting Film,  
Translucent Film,  
Printed Film ,  
Mirror Film**



White lacquer (303)

**width:**  
1,4-2,0;  
2,2-2,4;  
2,7-3,0-3,2-3,6;  
4,0-5,0;

**multiplicity of order:** 1 roll;



White MAT, SATIN (303)

**width:**  
1,4-2,0;  
2,2-2,4;  
2,7-3,0-3,2-3,6;  
4,0-5,0;

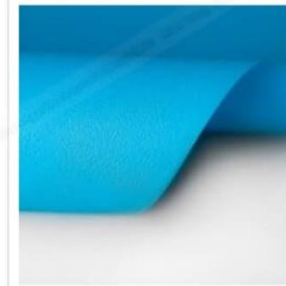
**multiplicity of order:** 1 roll;



Colored lacquer

**width:**  
2,0;  
2,4-3,2;  
4,0-5,0;

**multiplicity of order:** 1 roll;  
more 256 colors



Colored MAT, SATIN

**width:**  
2,0;  
2,4-3,2;  
4,0-5,0;

**multiplicity of order:** 1 roll;  
more 256 colors



Textured canvas

**width:**  
3,2,;

**multiplicity of order:** 1 roll;  
More 10 textures



Canvas Galaxy

**width:**  
3,2,;

**multiplicity of order:** 1 roll;  
More 10 colors



Cloth with photo printing

**width:**  
3,2,;

**multiplicity of order:** 1 roll;  
5 figures



## Why Choose Us

### XCELLFORM™ STRETCH MEMBRANE



Rich color,vivid and colorful.

### OTHER BRAND



NOT BRIGHT



3D Effect



NO 3D Effect



Perfect Transparency



Pale Yellowed,hard to stretch

## Why choose us

High-standard product supply; 1.5-5.0 Meters width solid colours; More than thousands of different new designs of printed film for choice .

Professional communication; We promise all inquiry will be replied during 24 hours ;

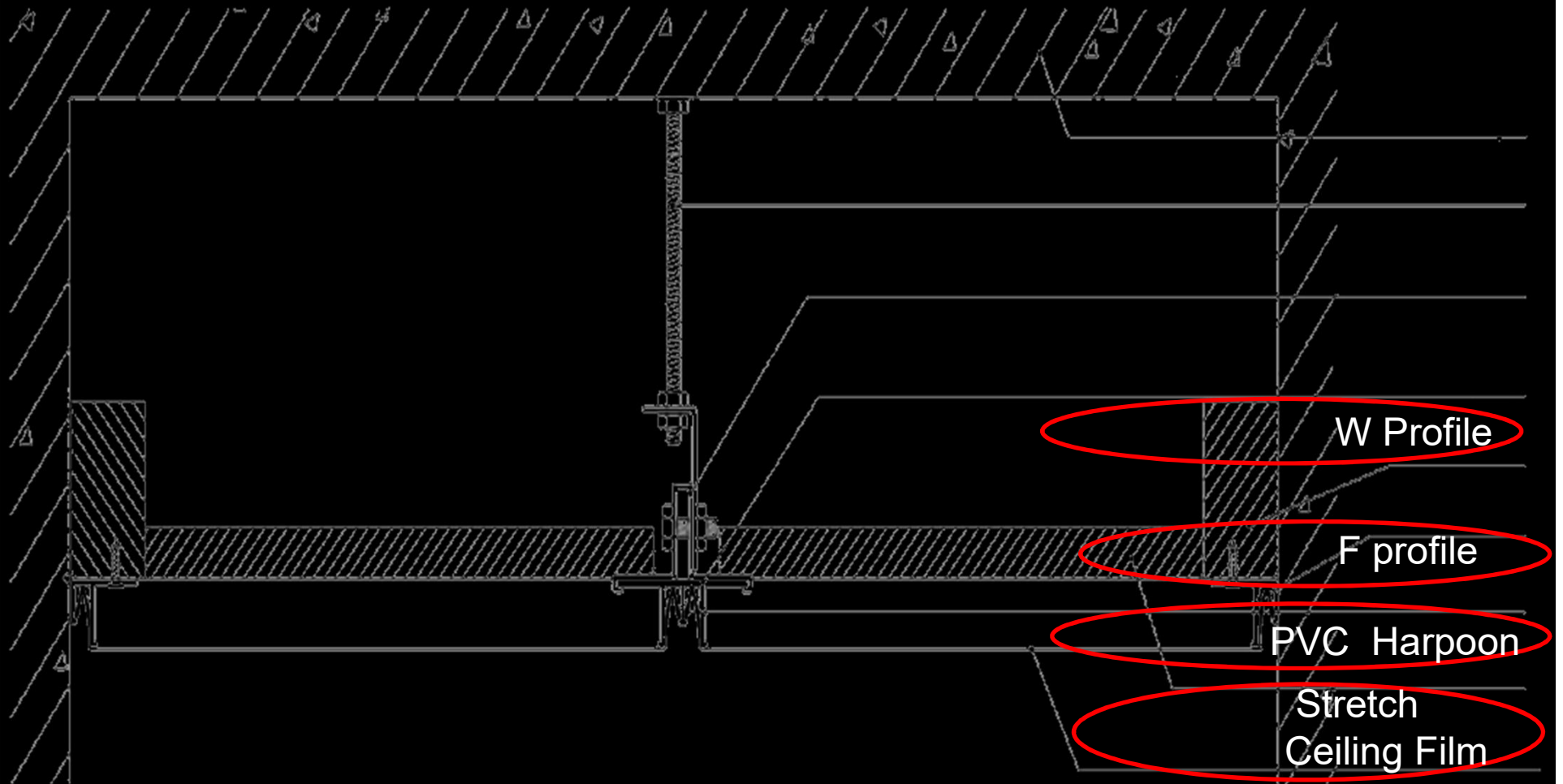
Experienced installation; Provide installation videos ; installation manual .

International fast delivery; professional package

The stretch ceilings is similar to the suspended ceiling and is located under the structural ceiling profile frame of a room. Stretched ceilings are typically stretched over a stretch of a piece of polyvinyl chloride (PVC) material and secured by a frame called a "aluminium stretch ceiling profile or pvc stretch ceiling profile." The perimeter profile can be bent and shaped as desired, and the PVC can be colored or painted to suit any taste. Therefore, the stretch ceiling film provides a great deal of freedom in terms of shape, colour and lighting.



# STRUCTURE OF STRETCH CEILING FILM



Structure of Stretch Ceiling Film: Aluminum profile , PVC Harpoon , Stretch Ceiling Film

# CATEGORY

---

Lacquer Film/ Glossy Film

Matt Film

Translucent Film

Brushed suede Film

Metallic Film

Perforated Suede Film

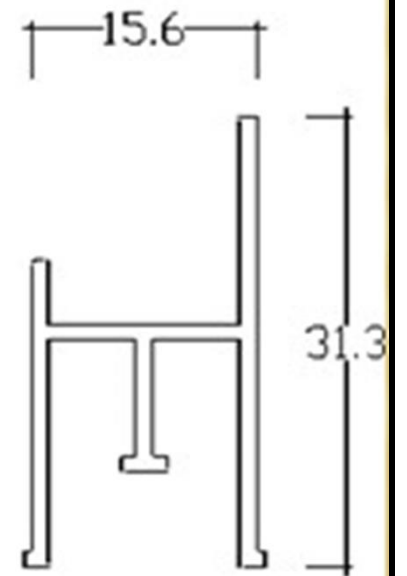
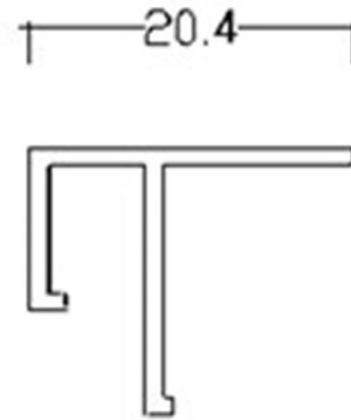
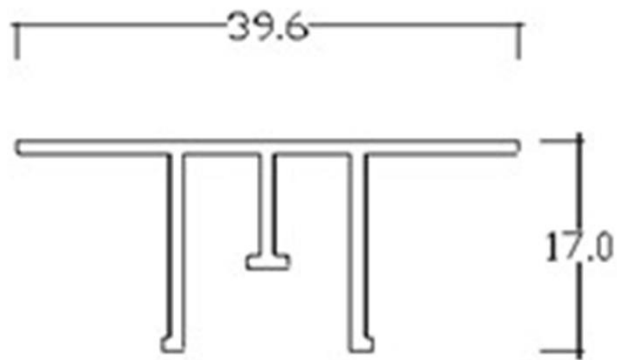
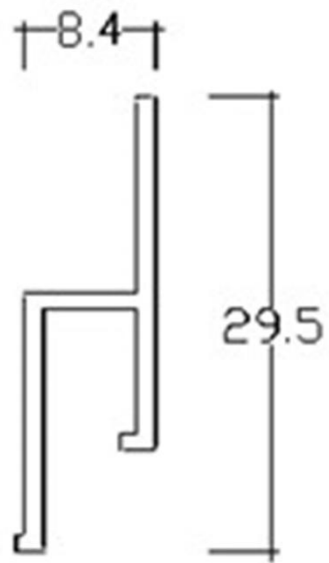
Painting Film

Printed Film

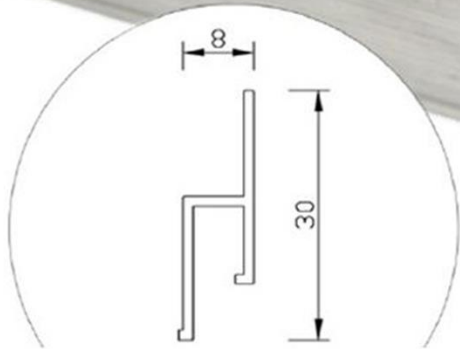
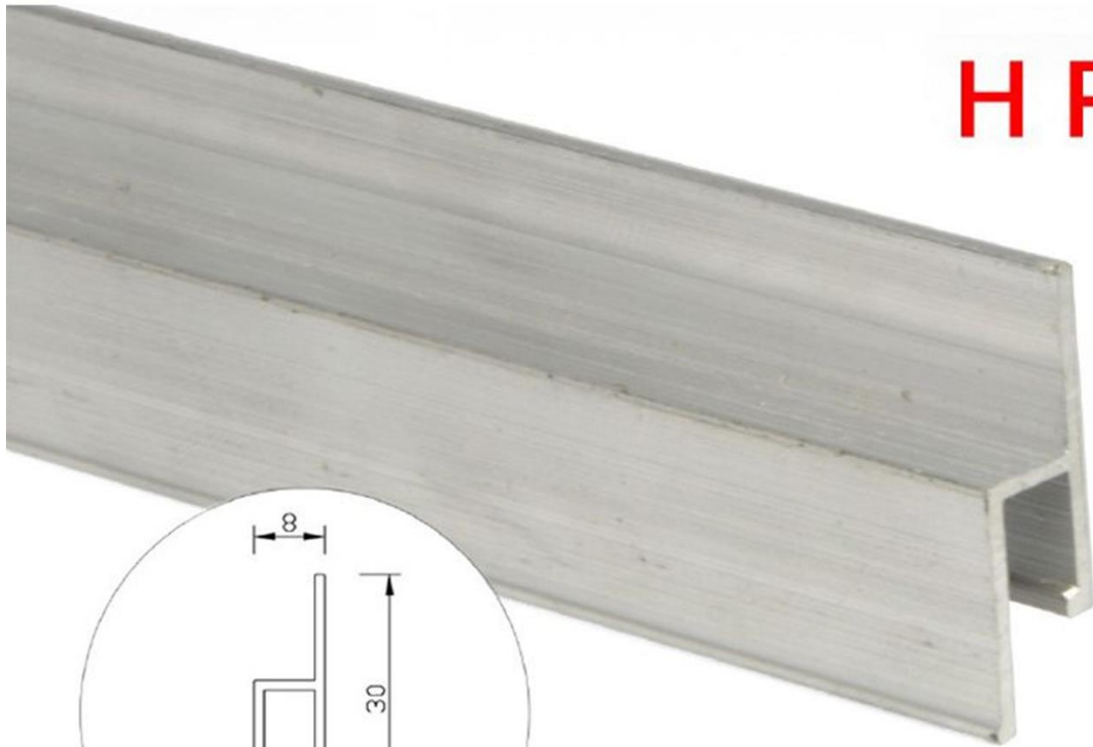
Marble Film



# ALUMINIUM PROFILE INTRODUCTION



## H Profile

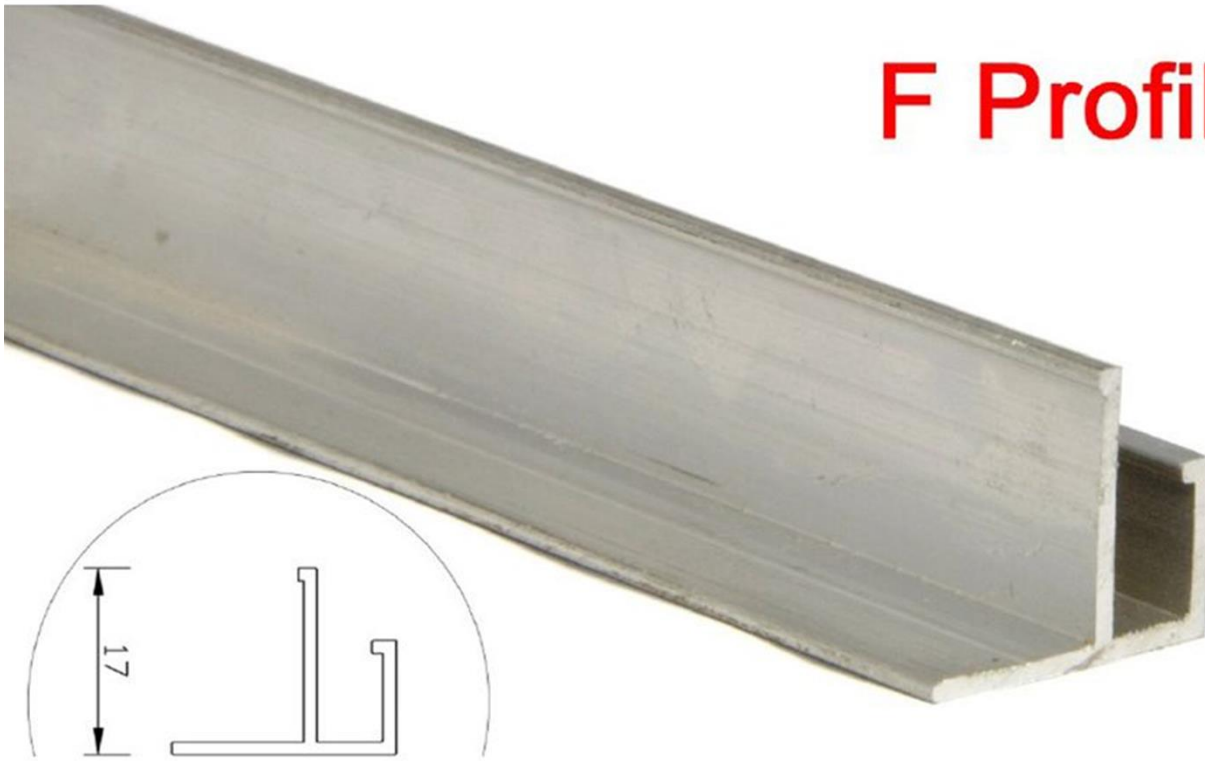


### **H Aluminum**

Profile: Suitable for plane designs. Such as circle , arc-shape  
Installed alone wall . Can be transverse Bending.



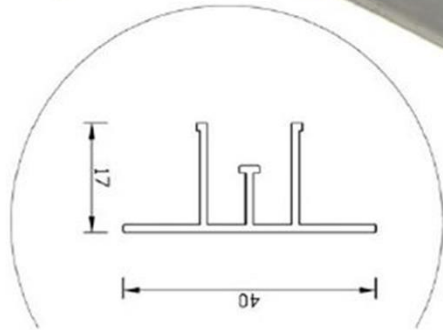
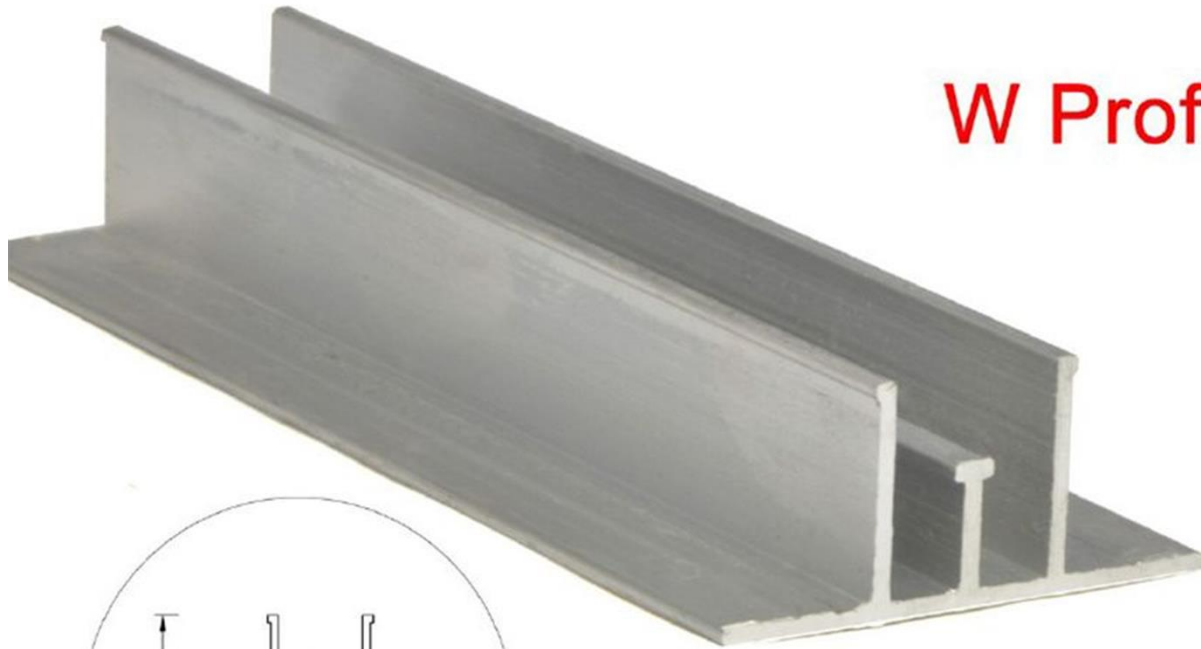
# F Profile



## **F Aluminum**

profile : Suitable for 3D Designs. Such as , wave shape, arc-shapes, Trumpet-shape. Used for kinds of plane designs , slope designs as well . It is used Very often . It Installs along the wall which can be Longitudinal bending.

## W Profile



### **W Aluminum**

Profile:

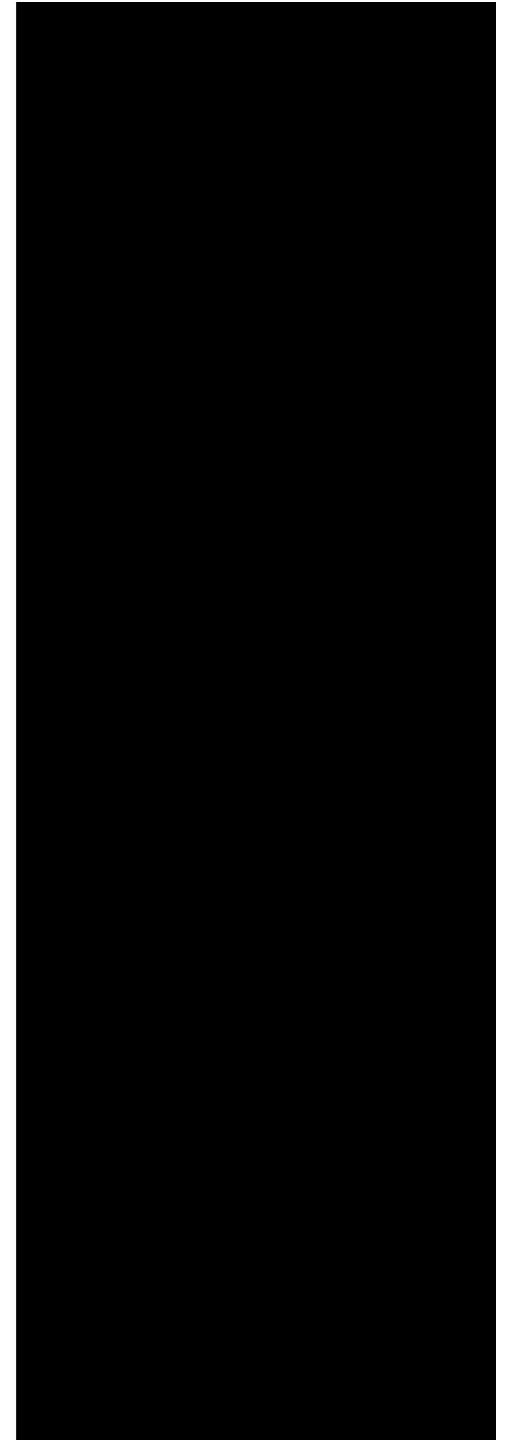
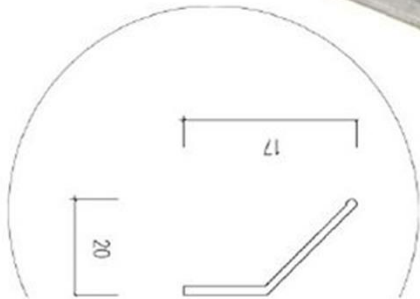
Suitable

Longitudinal  
arc-shapes,  
wave-shapes .

It's often used  
for jointing two  
pieces of films  
too.



# V Profile



# PVC HARPOON

**PVC Harpoon**





# ENERGY SAVING

---

- a. Insulation function of PVC can reduce drain of temperature from Room.
- b. Bump Mapping on the surface of Stretch Ceiling Film can enlarge refractive index of light. So that it can help to reduce number of lamp.

# GERMPROOF

---

- We add BIO-PRUF into our materials during producing which can control Staphylococcus aureus, Streptococcus coli
- After anti-mildew treatment, it is suitable to use in school, baby room, Hospital .





# WATERPROOFING

---

Afford weight is 200.0KGS per square meter, which greatly prevent water from break indoor furniture and decoration materials .

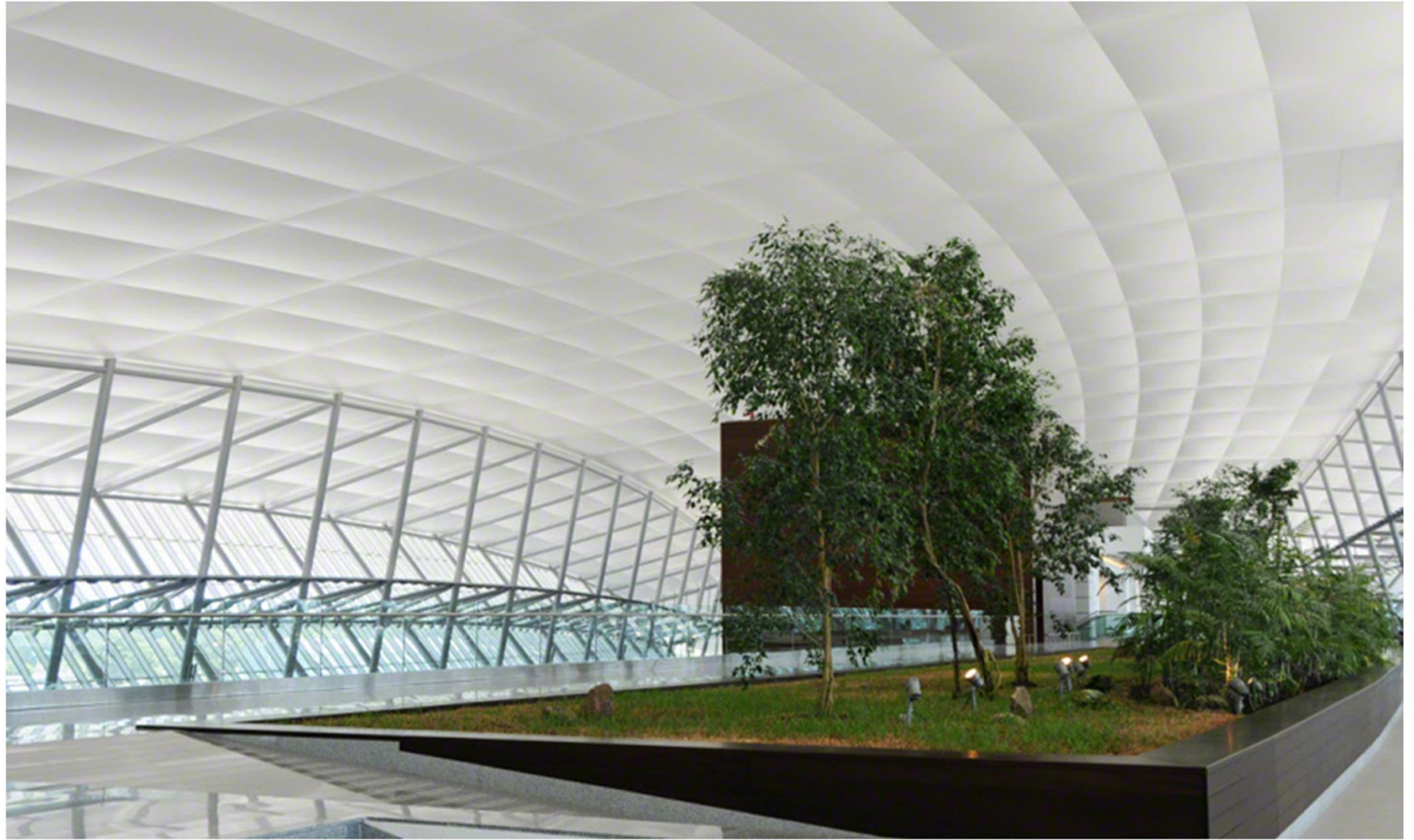






A. We use fiber with Stretch Ceiling Film to make star sky design





B. We can install big area with one whole piece film to reach into good over vision



C. Translucent Film use with fluorescent tube



# MORE THAN HUNDREDS OF COLOURS TO CHOOSE









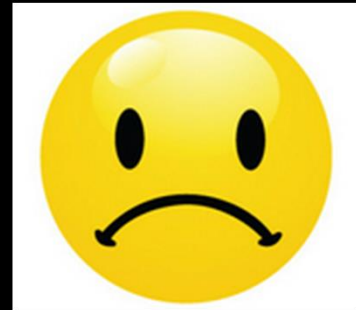




# TIPS FOR DESIGNS

Because Aluminum profile is hard materials, If Splice angle is too small , Bending strength is too big .It will be not good for installation and vision.

> 20° Separation angle > 20°





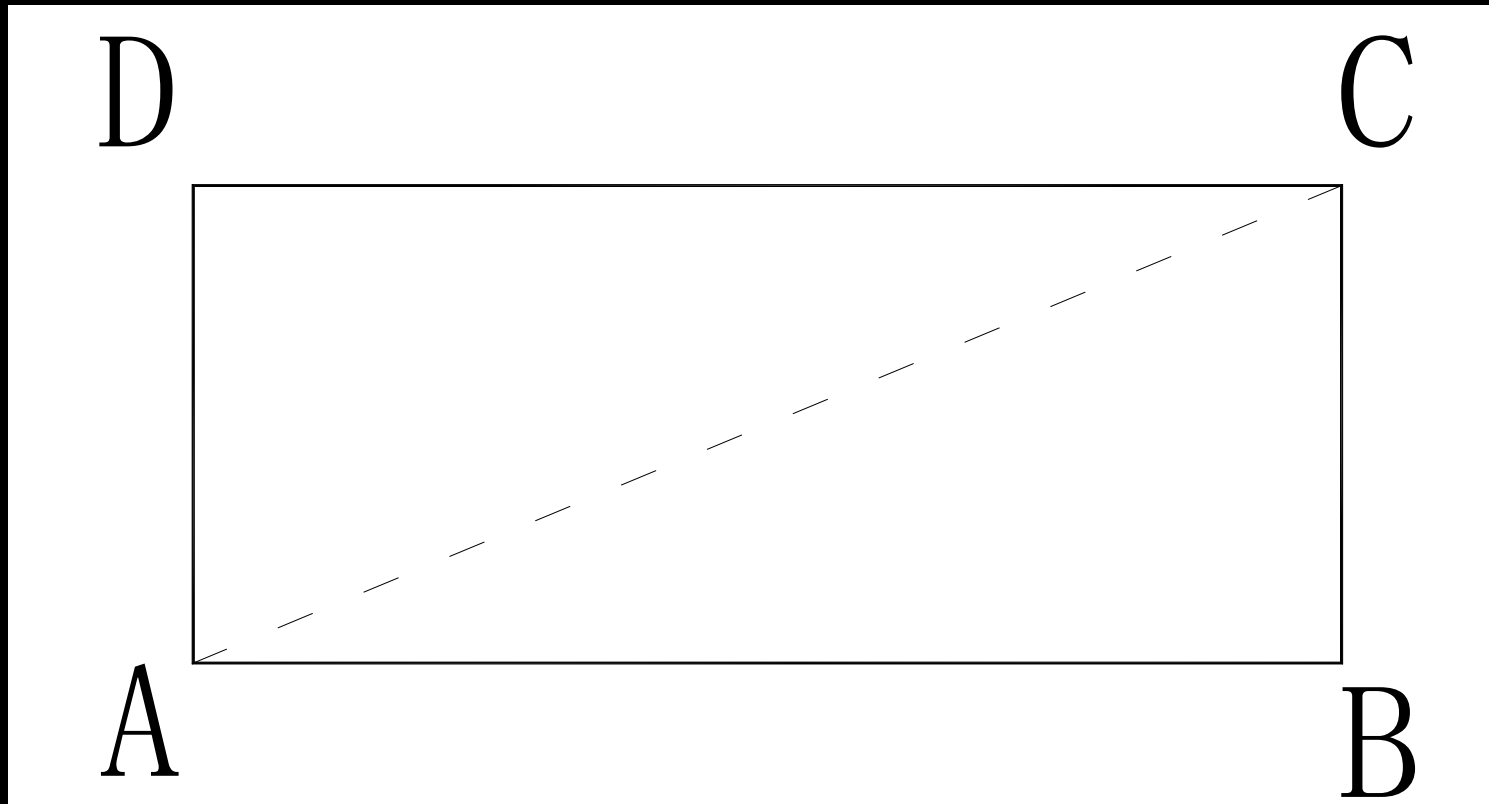




# HOW TO MAKE MEASUREMENT

A. Measure Standard able rectangle .

✘ All size of sides and length of diagonal





# 4、 MEASUREMENT OF POLYGON

---

Measurement of polygon .

- × CA=5482mm
- × DA=5345mm
- × DB=4424mm
- × EB=4952mm

✘ CA=5571mm

✘ FA=3362mm

✘ FB=2595mm

✘ GB=5244mm

✘ DF=1690mm

✘ EC=283mm

✘ C、D、E、F、GA、B。 CA=5571mm

DA=4980mm EA=4521mm

FA=3360mm DB=2978mm EB=3234mm

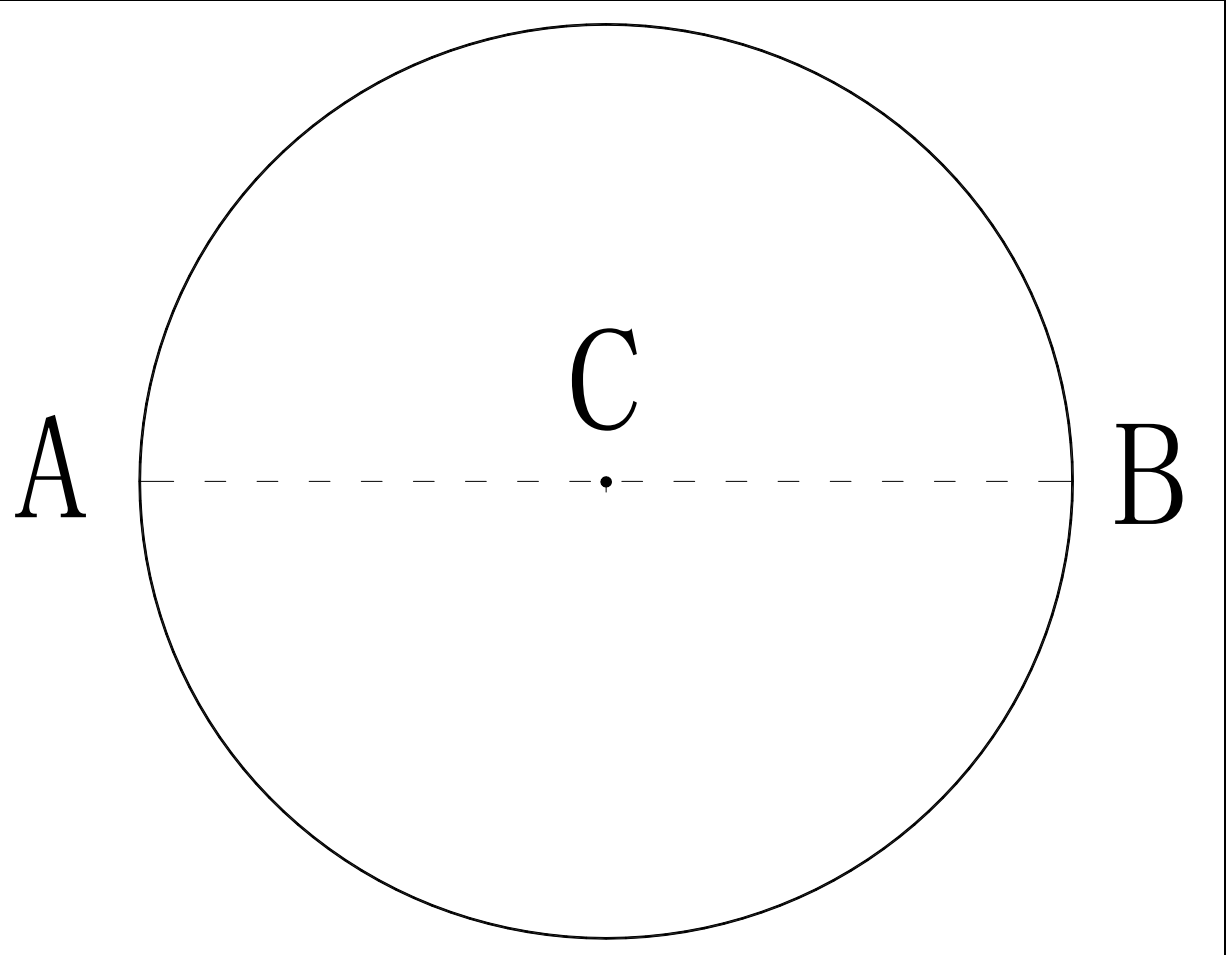
FB=2587mm GB=5240mm



# 5、CIRCLE SHAPE

✕ AB

✕ AC



## 6、 Arc- shapes

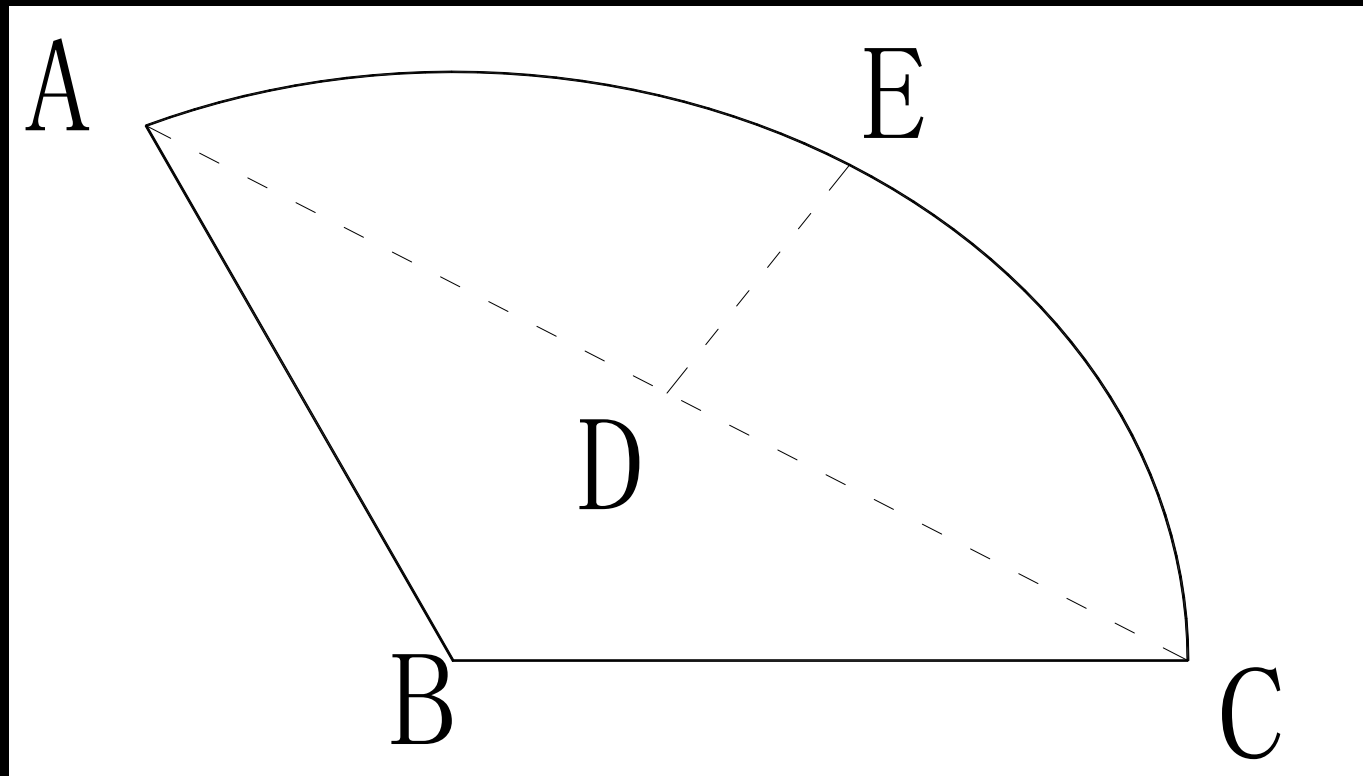
Arc-Shape, Work out the length of arc lines or height of arc or arc length .

✕ABC

✕AEC

✕DE

✕AC



# 7. UN-SHAPED DESIGN SIZE

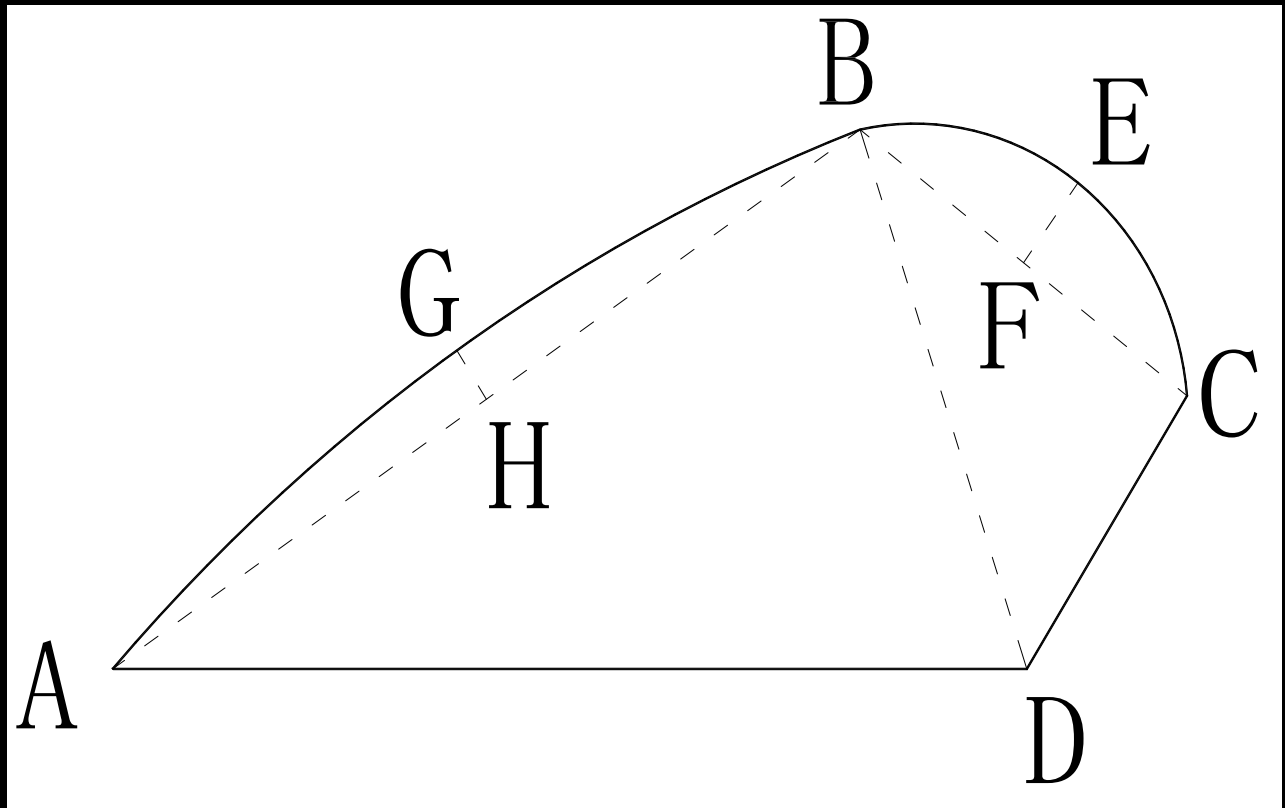
irregular arc-shape need to be divided it into several regular arc shapes and triangles first . Then work out size for each of it .

ABD BCD

AGB BEC

GH EF

AB BC





---

How to know whether the arc-shapes are regular or irregular ? Point one reference arc length from original arc shape . Put it in different area of whole arc shape . Then work out arc height . If arc height is same , then it is regular one . Or it will be irregular one .

b) 250mm

For Irregular arc shape,

$$AB=1000\text{MM}$$

$$BC=DA=990\text{MM}$$

$$CD=600\text{MM}$$

$$AC=BD=1268\text{MM}$$

$$D_1A=760\text{MM}$$

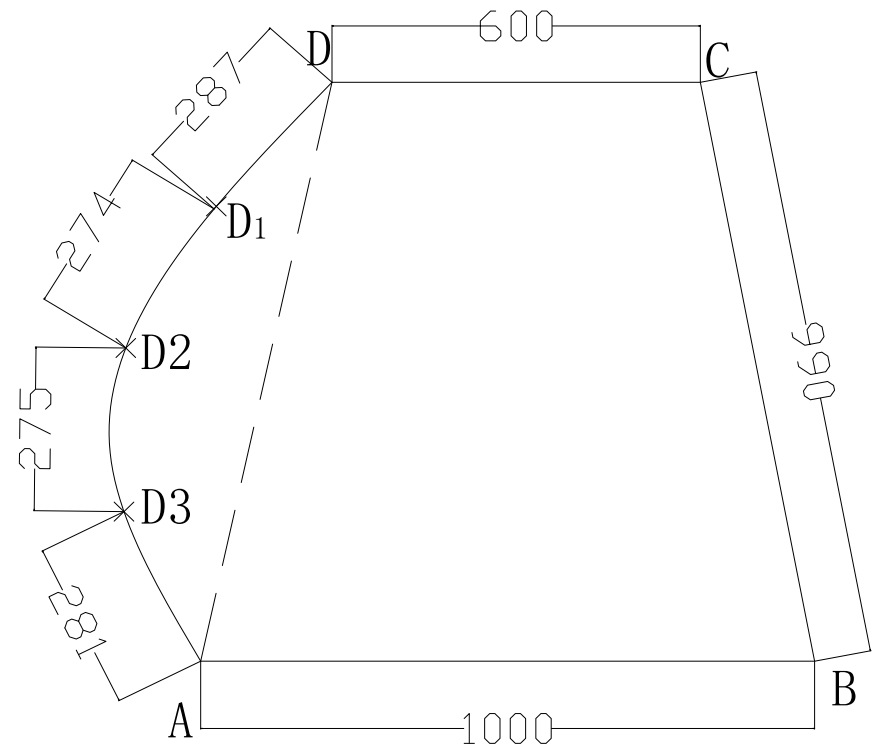
$$D_2A=534\text{MM}$$

$$D_3A=268\text{MM}$$

$$D_1D=287\text{MM}$$

$$D_2D=565\text{MM}$$

$$D_3D=797\text{MM}$$



C、D、D1、D2、D3、A、B。

$AB=1000\text{MM}$

$BC=DA=990\text{MM}$

$CD=600\text{MM}$

$AC=BD=1268\text{MM}$

$D_1A=760\text{MM}$

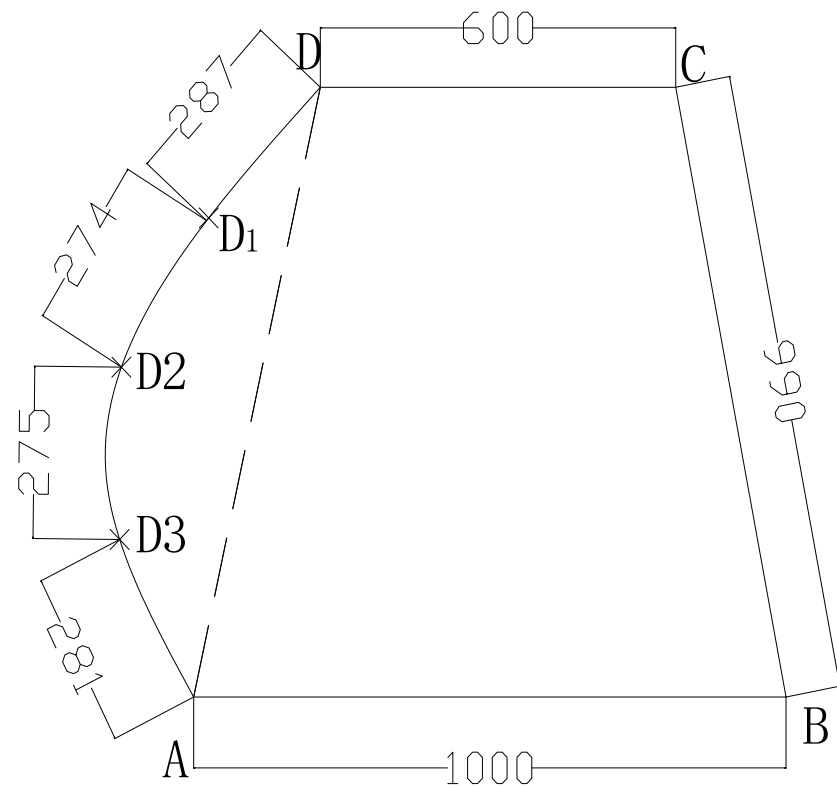
$D_2A=534\text{MM}$

$D_3A=268\text{MM}$

$D_1B=1238\text{MM}$

$D_2B=1239\text{MM}$

$D_3B=1153\text{MM}$





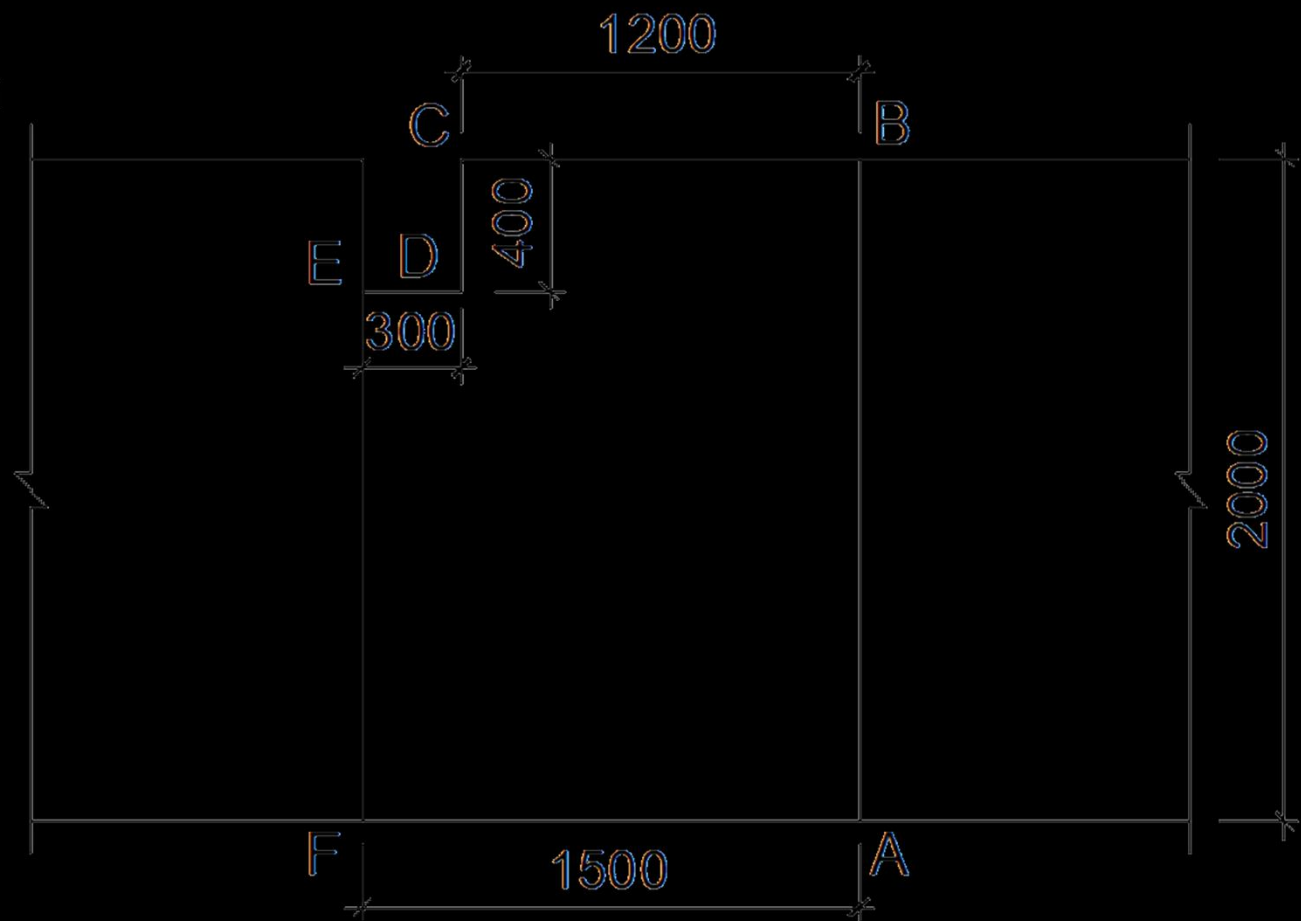
# STRETCH CEILING SIZE ON WALLS

(4-6 A) ◦

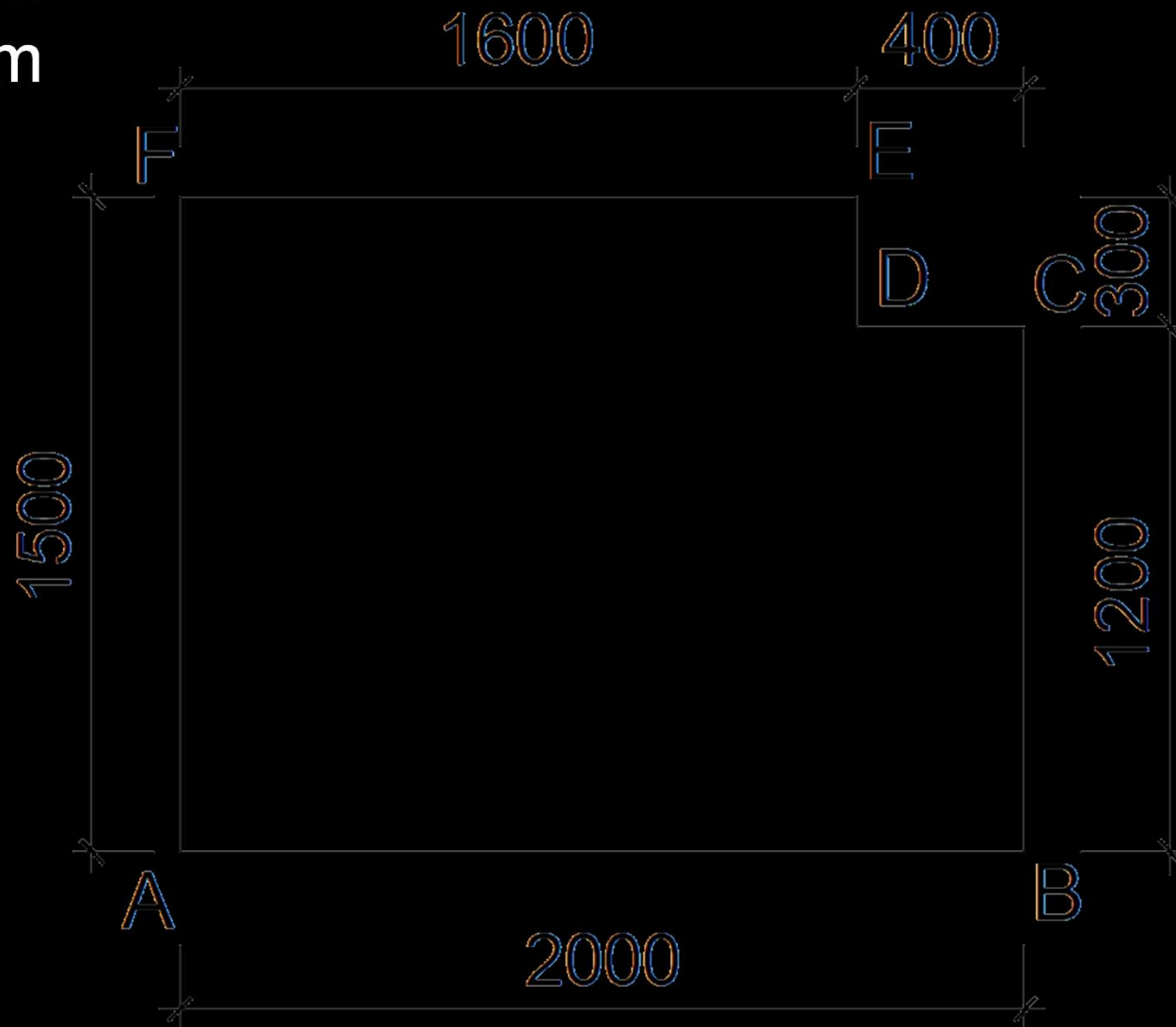
CA=2332mm

DA=2000mm

EA=2193mm

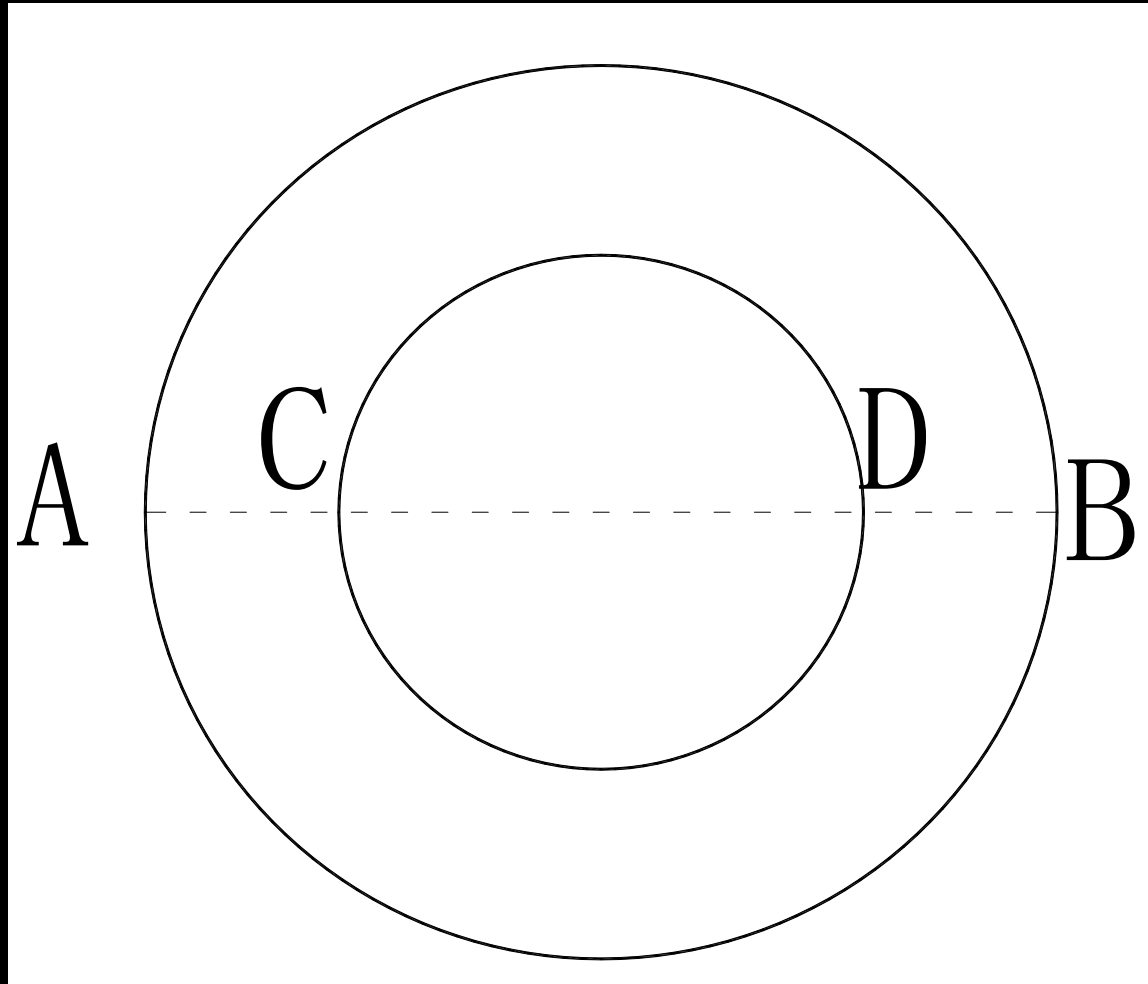


DB=1265mm  
EB=1552mm  
FB=2500mm



# LIGHTING GROOVE SIZE

AB  
CD





Round corners need to be made section plan.

AE

HE

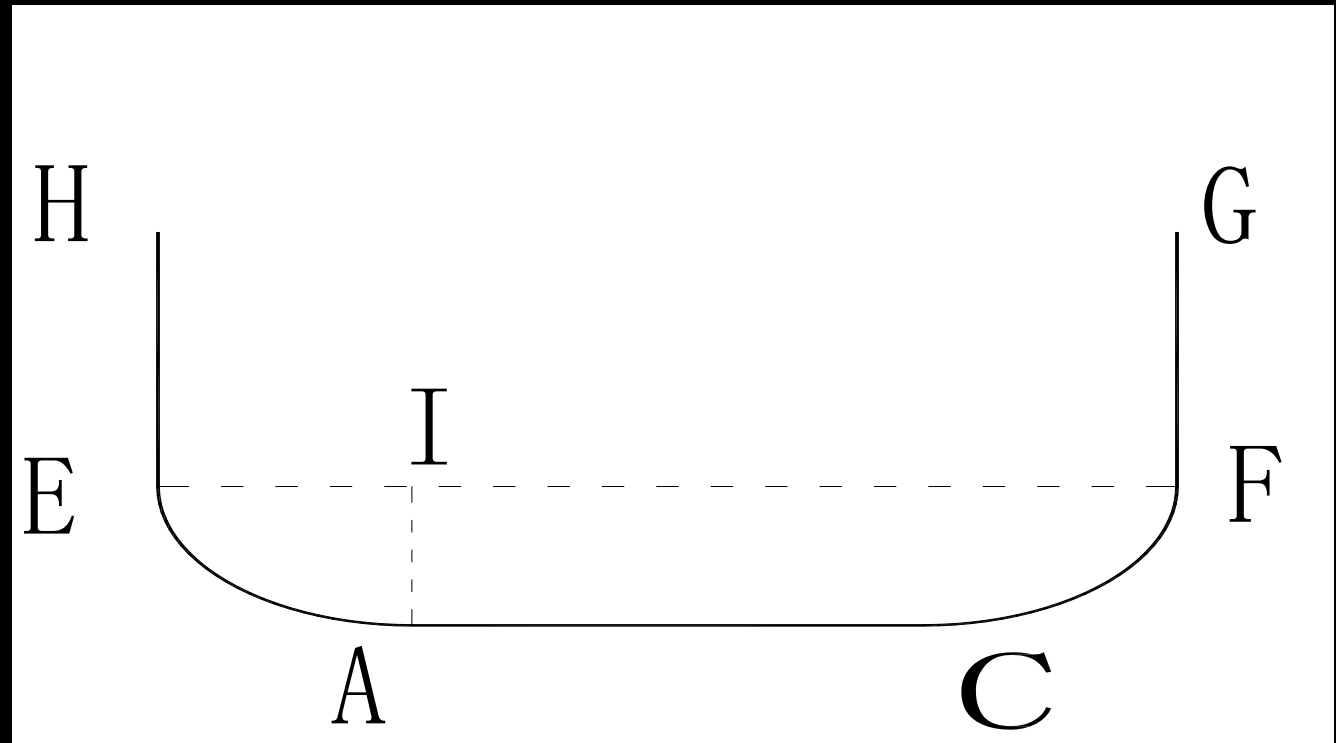
EF

AI

Arc length AE

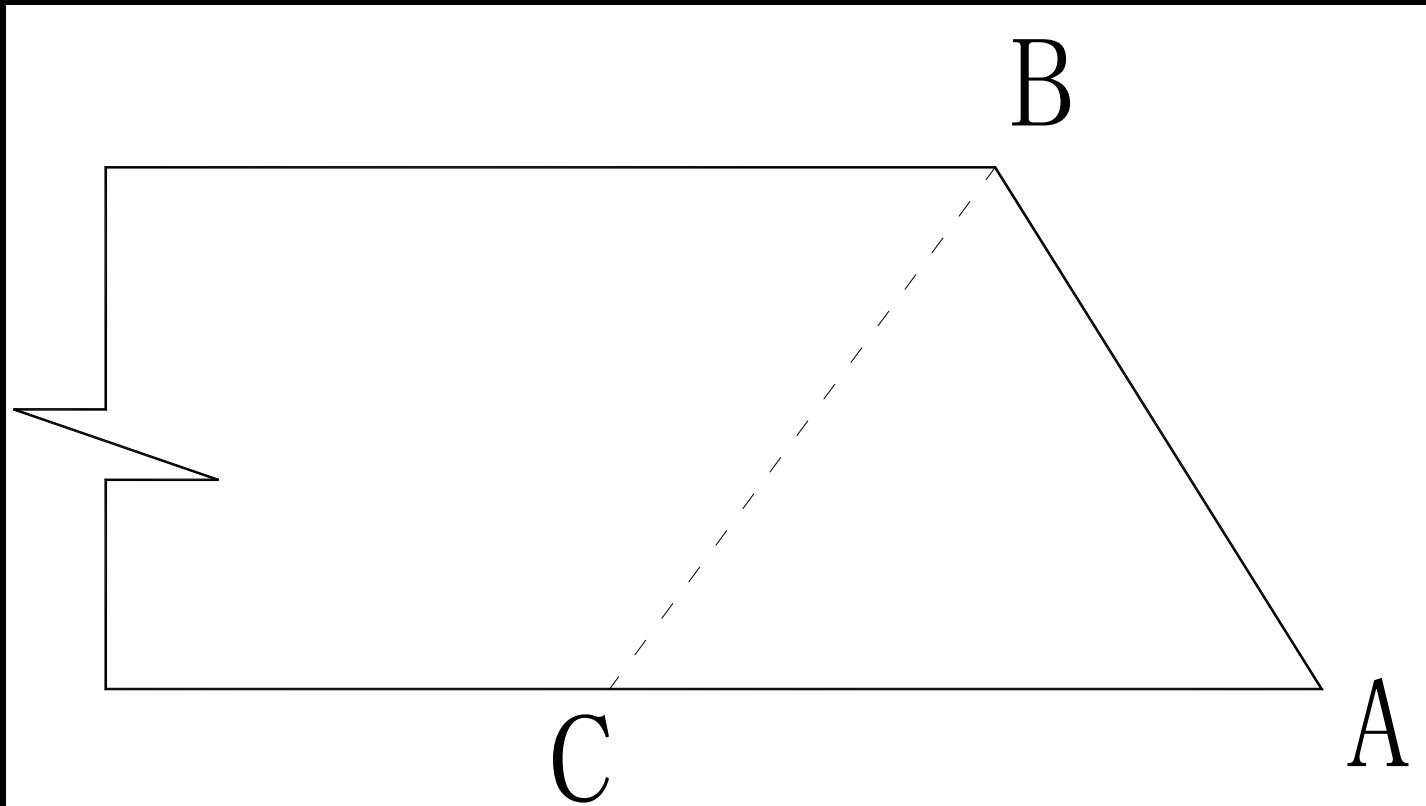
Height of HE

Line distance EF



# LONG BAR-SHAPED

Long Bar-shaped means film which is width is smaller than 800MM ,  
Length is bigger than 8000MM .



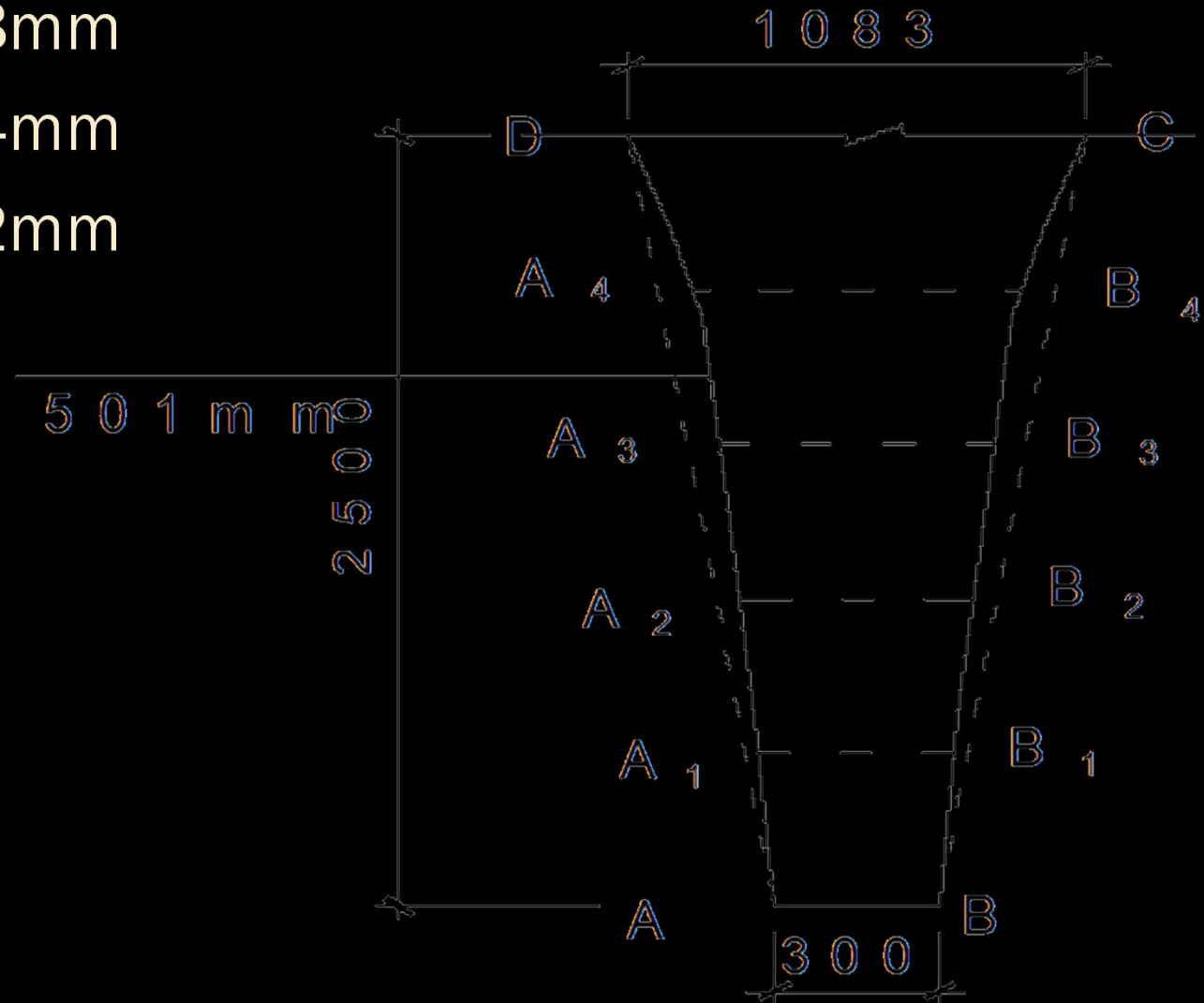
(4-9) 。

$A_1B_1=357\text{mm}$

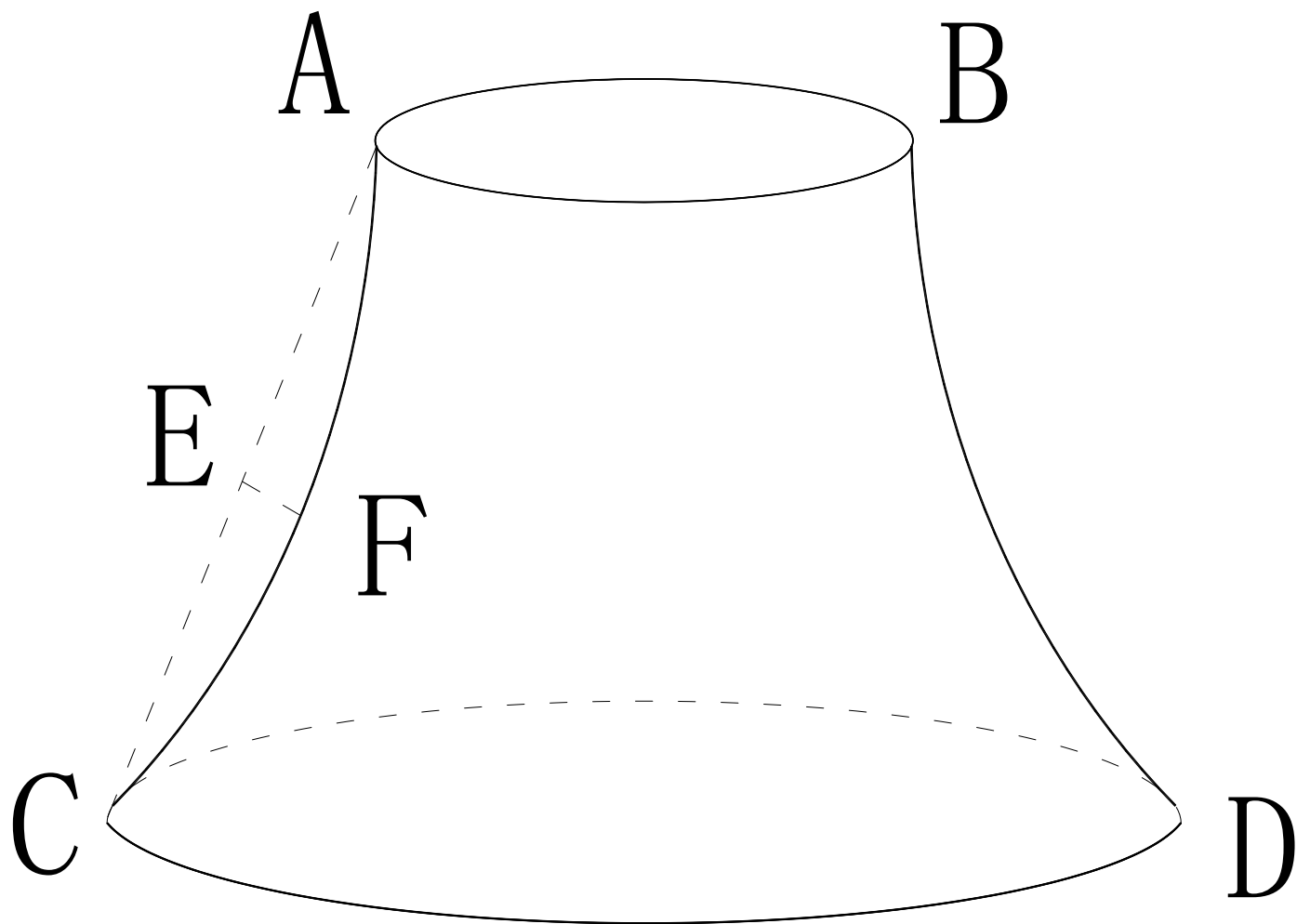
$A_2B_2=428\text{mm}$

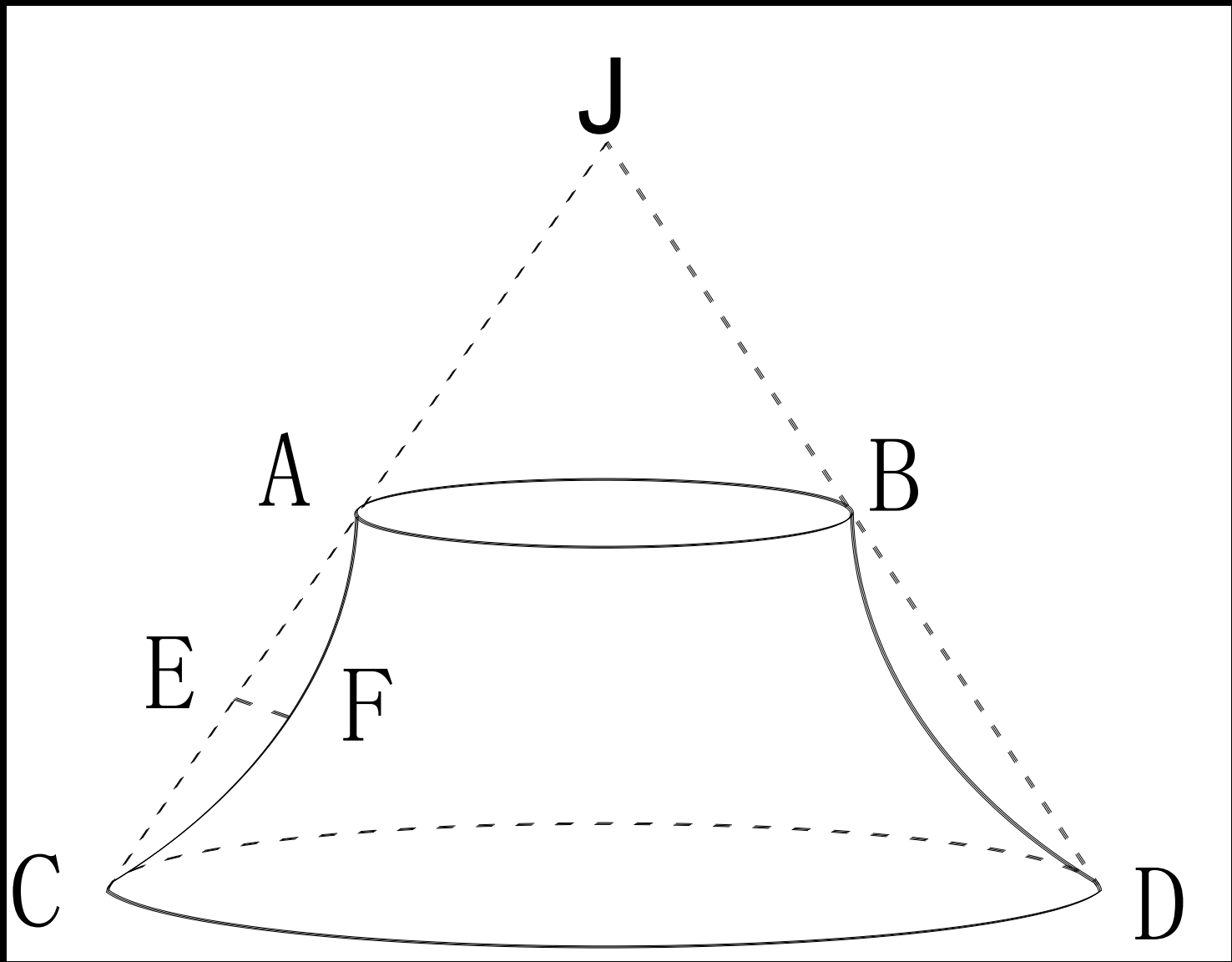
$A_3B_3=504\text{mm}$

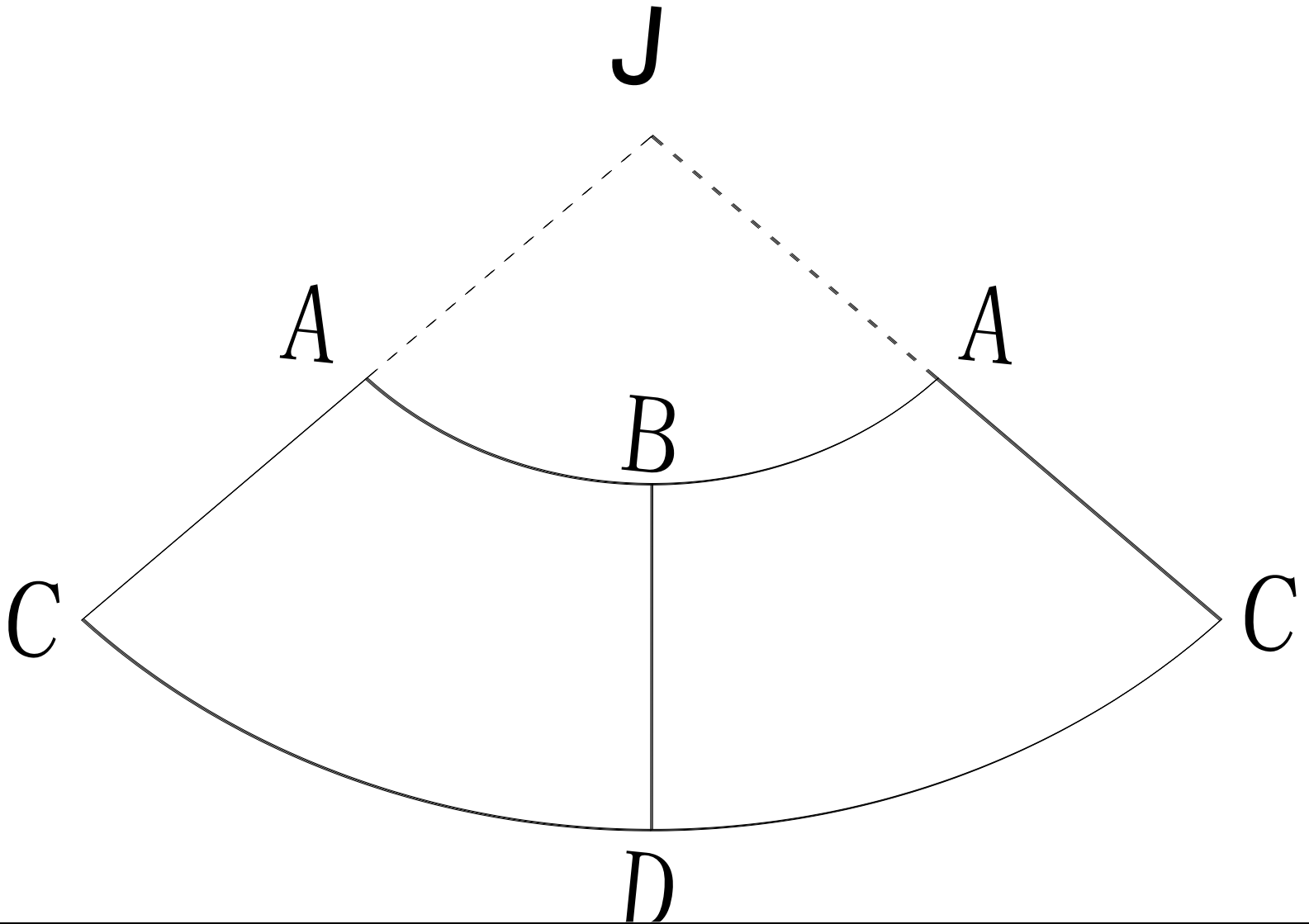
$A_4B_4=602\text{mm}$



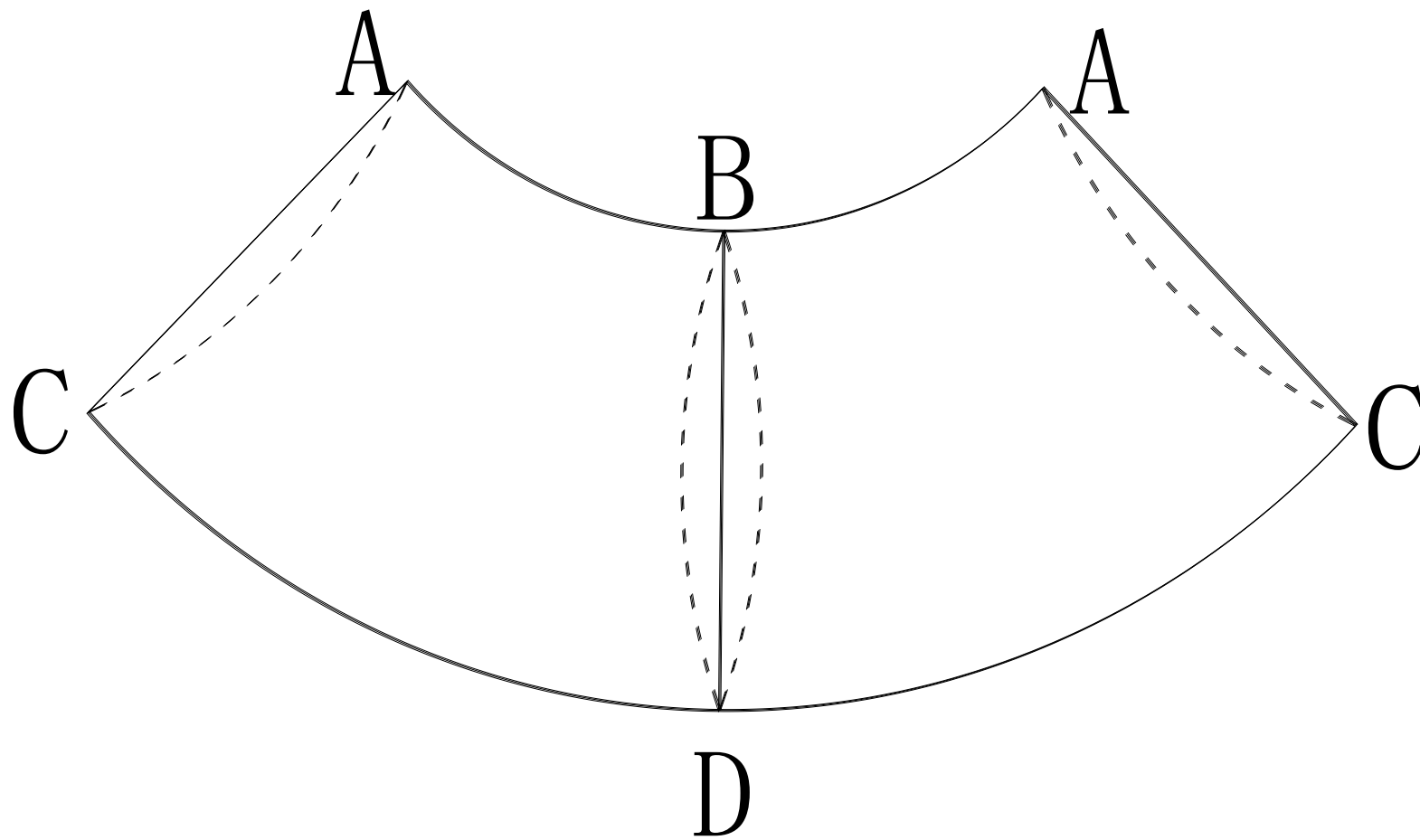


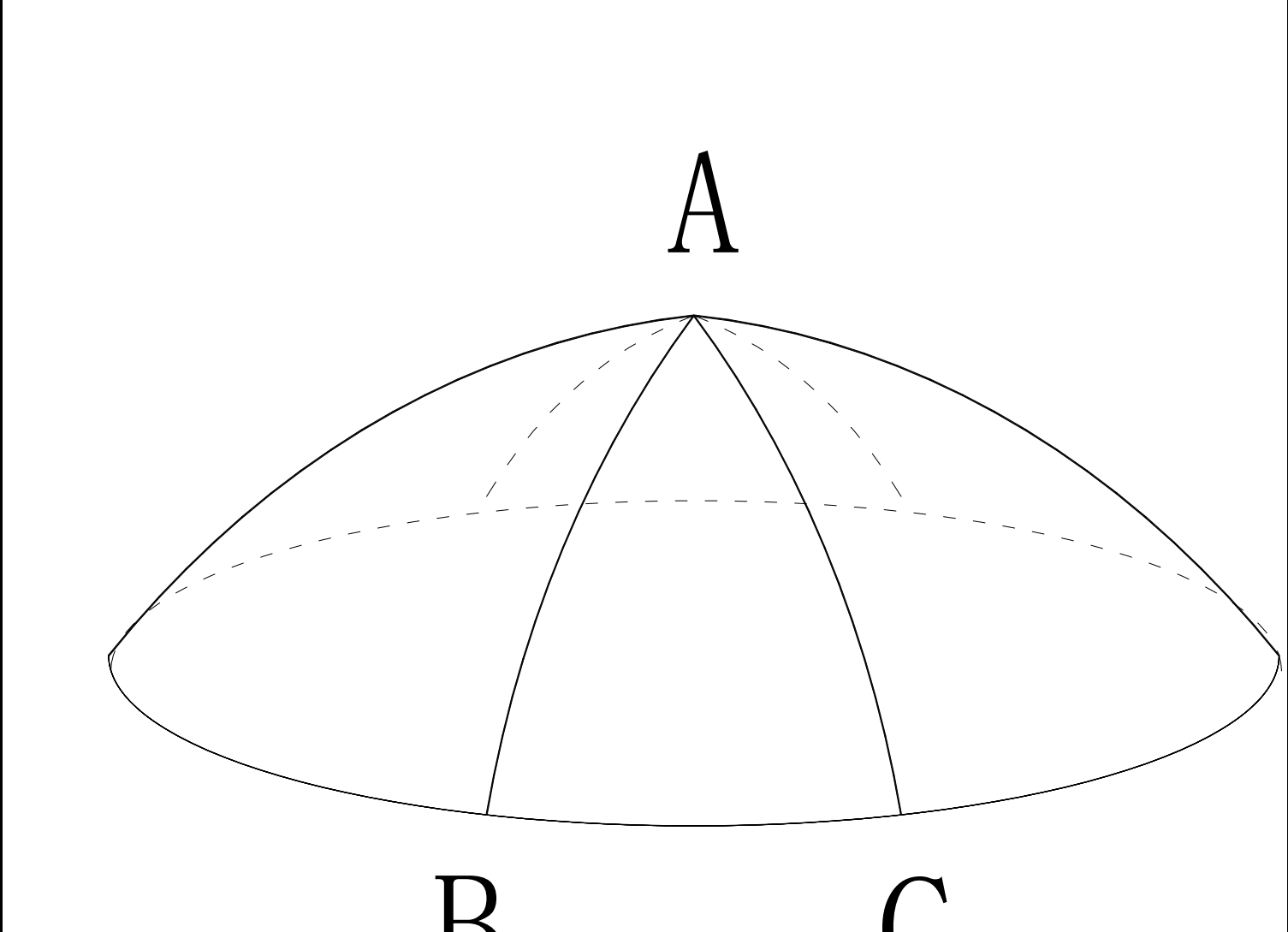


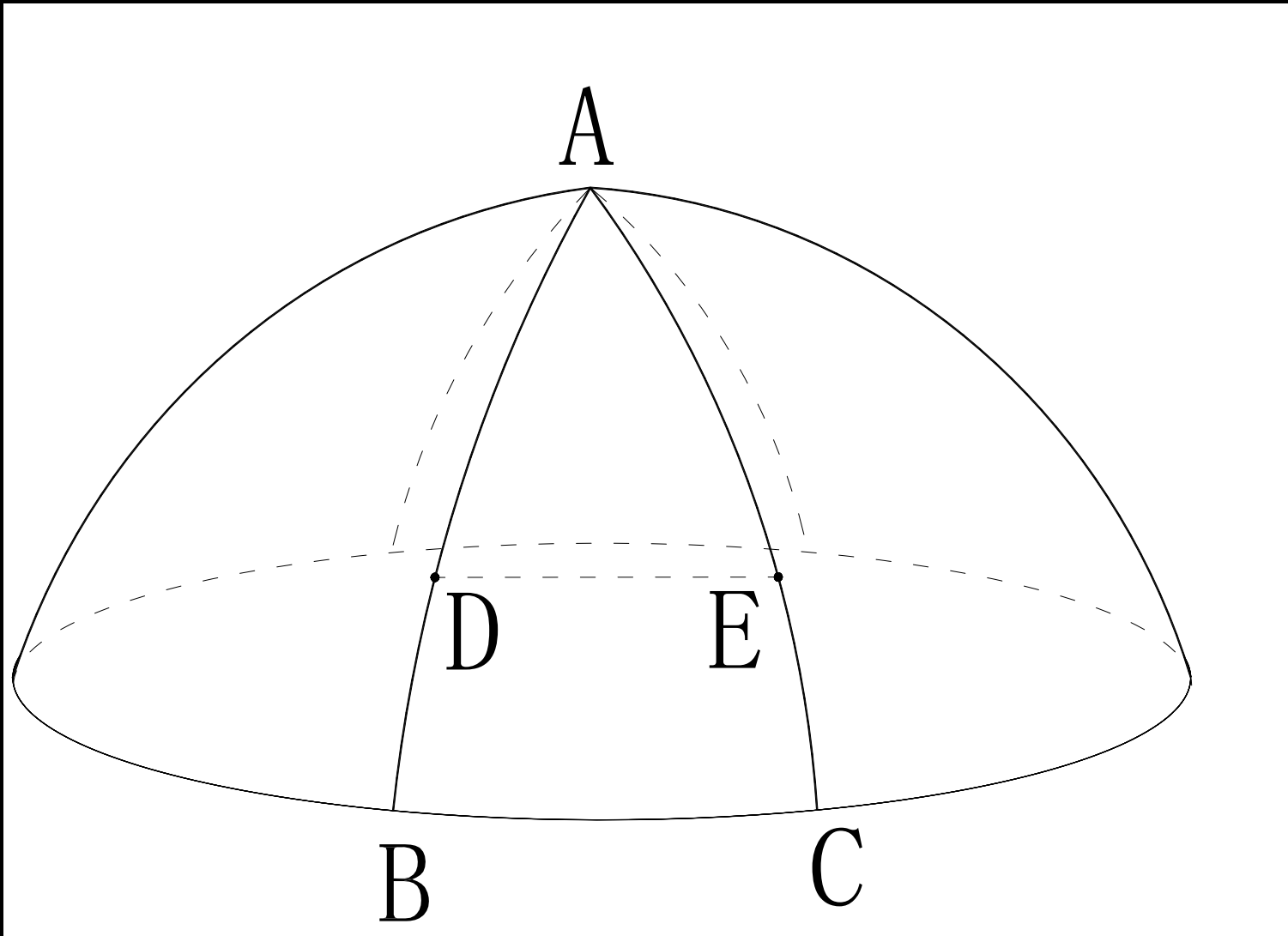














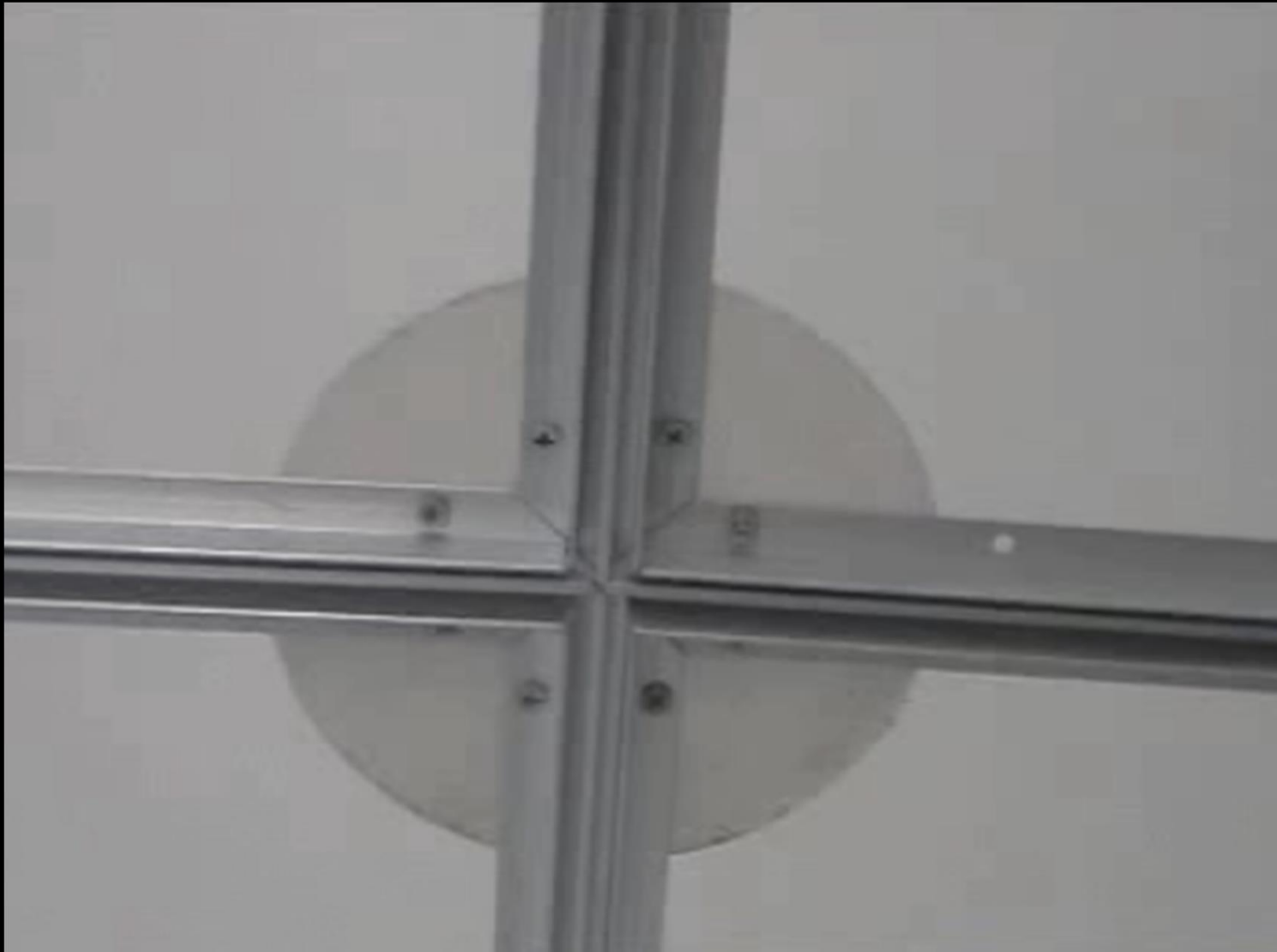
# ALUMINUM H PROFILE INSTALLATION JOINTING BY H PROFILE AND H PROFILE



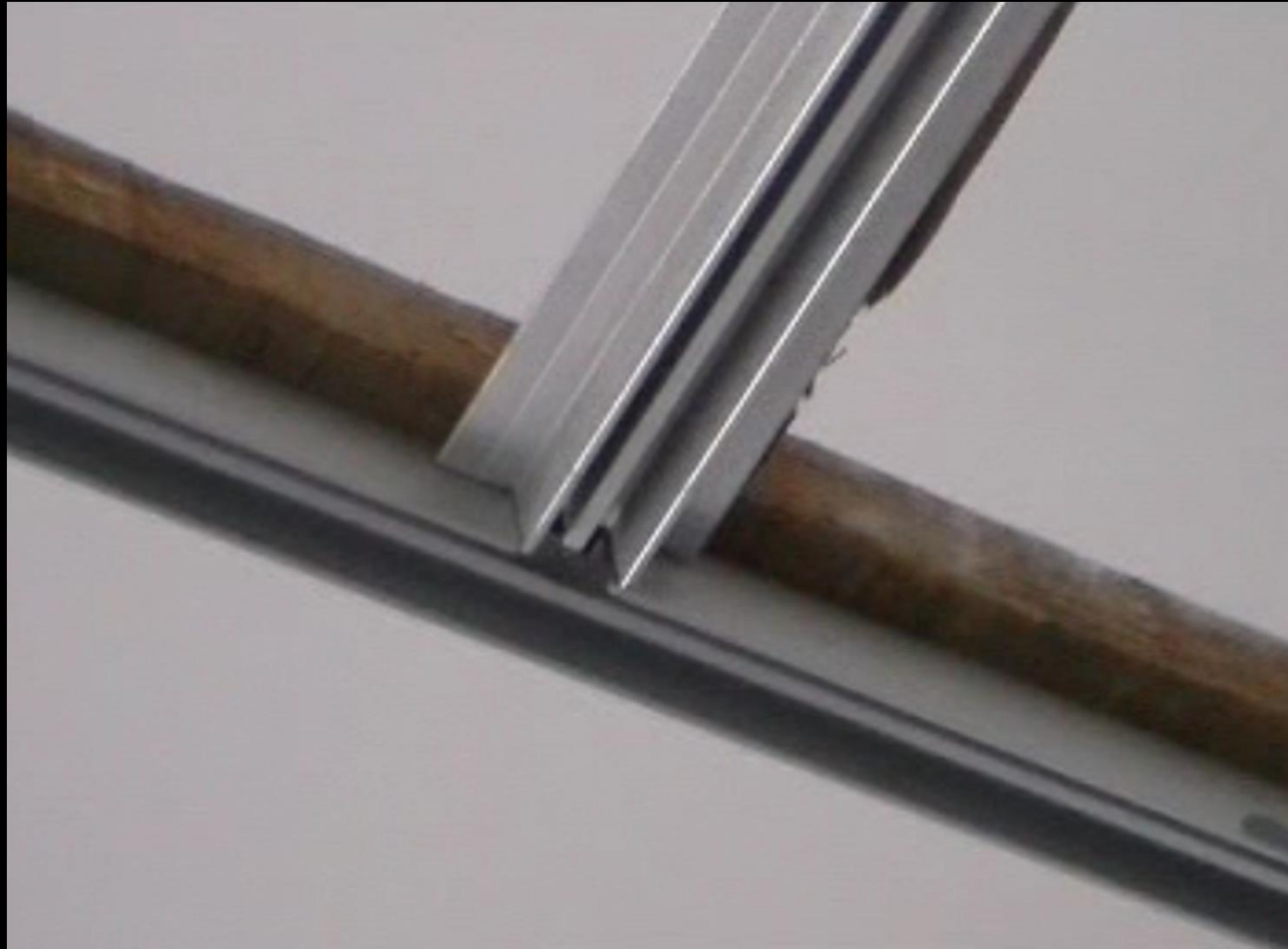
# F ALUMINUM PROFILE INSTALLATION JOINTING BY F PROFILE AND F PROFILE



# W ALUMINUM PROFILE INSTALLATION



# M ALUMINUM PROFILE INSTALLATION





# M AND H PROFILE INSTALLATION



# F AND M PROFILE INSTALLATION



# F AND M PROFILE INSTALLATION

---

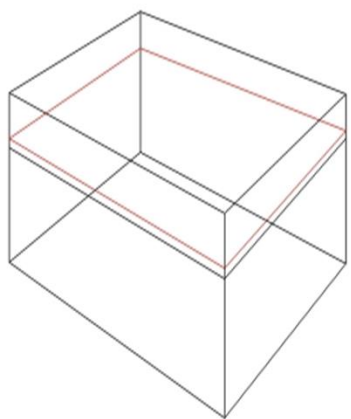


Like dome shape , need to be jointed by several pieces of W profiles. Fastening with 150 to 200MM thickness wooden board.

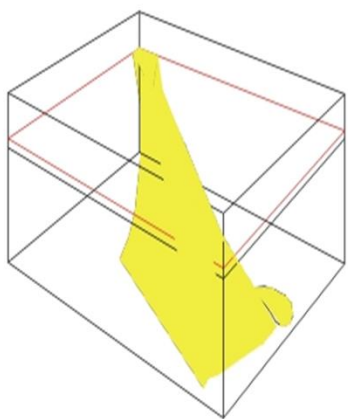
First Draw out jointing lines of aluminum profiles . Then cut aluminum profiles according To jointing lines .



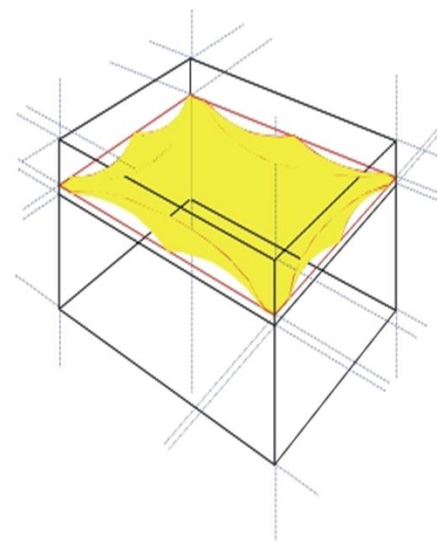




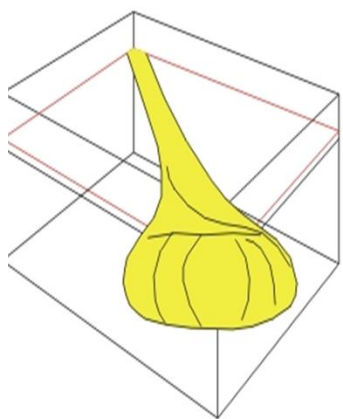
1



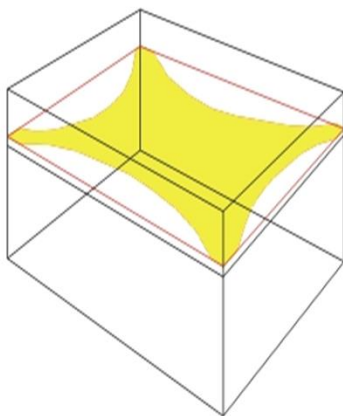
3



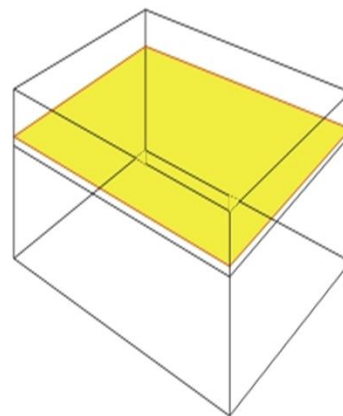
5



2



4



6



ARIES  
IMEX  
TRADING  
INC.



[sales@ariesimextrading.com](mailto:sales@ariesimextrading.com)



[www.ariesimextrading.com](http://www.ariesimextrading.com)



Aries Imex Trading Inc.



[ariesimexmarketing2022](https://www.instagram.com/ariesimexmarketing2022)



09219102697



09953884201 • 9167043556 • 82871988



Room 306 Madrigal Building  
Escolta Street Sta. Cruz Manila

